

# HEXSEAL® & E-SEEL®

## Hermetic Environmental Sealing Boots for Switches & Potentiometers



# Table of Contents



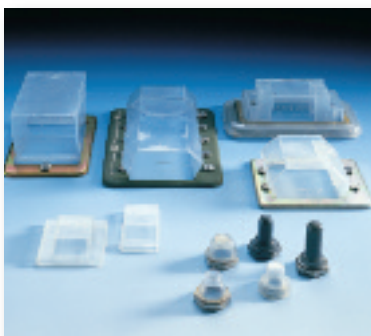
Matching Colors Available



Armored Versions



EMI/RFI Suppression Versions



Circuit Breaker Boots –  
See Catalog CB200

<b>Why Hostile Switch Environments Need Protection</b> .....	<b>3</b>
<b>Typical Applications – Features &amp; Benefits</b> .....	<b>4</b>
<b>Cross References</b> .....	<b>5, 6</b>
<b>N.S.N. Series to APM P/N &amp; Military Specifications</b> .....	<b>6</b>
<b>Anatomy of a Hermetic Sealing Boot</b> .....	<b>7</b>
<b>3 Performance Levels to Choose From</b> .....	<b>7</b>
<b>Technical References</b> .....	<b>8, 9</b>
<b>Toggle Switch Boots Specifications &amp; Selection (Full &amp; Half)</b> .....	<b>10</b>
<b>Armored Toggle Switch Boots ( Full)</b> .....	<b>11</b>
<b>EMI/RFI Shielded Toggle Switch Boots (Full)</b> .....	<b>11</b>
<b>Back-of-Panel Mounted Toggle Switch Boots</b> .....	<b>11</b>
<b>Pushbutton Switch Boots (Full)</b> .....	<b>12, 13</b>
<b>Armored Pushbutton Switch Boots (Full)</b> .....	<b>13</b>
<b>EMI/RFI Shielded Pushbutton Boots (Full)</b> .....	<b>13</b>
<b>Back-of-Panel Mounted Pushbutton Switch Boots</b> .....	<b>13</b>
<b>Indicator &amp; Illuminated Pushbutton Switch Boots</b> .....	<b>14</b>
<b>2-Way Radio Handset Switch Boots</b> .....	<b>14</b>
<b>Rotary-Shaft Seals for Switches &amp; Potentiometers</b> .....	<b>15</b>
<b>EMI/RFI Shielded Rotary-Seals for Switches &amp; Potentiometers</b> .....	<b>15</b>
<b>Locking Rotary-Shaft Seals</b> .....	<b>15</b>
<b>Sealed Switches Bushing Sealing Washers*</b> .....	<b>16</b>
<b>Rocker Switch Boots</b> .....	<b>17</b>
<b>Economy Switch Boots</b> .....	<b>18</b>
<b>Installation Instructions – Bushing Adaptors</b> .....	<b>19</b>
<b>Metric Size Boots</b> .....	<b>20</b>
<b>IQ Series Toggle Switch Boots</b> .....	<b>21</b>

\*Designed Specifically to Protect Mounting Hole Seal Integrity of  
Hermetically Sealed Switches

# HEXSEAL® & E-SEEL® SEALING BOOTS – LIFE SUPPORT SYSTEMS FOR SWITCHES

## Why hostile switch environment protection is needed

Unsealed switches are internally susceptible to damage and shorting from water, lubricants, dust, dirt, sand, salt spray, corrosive atmospheres, fungus and other damaging contaminants. Even factory sealed switch function is susceptible to ice and dust build-up. And, all switch panel-mounting cutouts are vulnerable to contaminant seepage including spilled soft drinks, coffee, etc. APM's UL-recognized HEXSEAL® and E-SEEL® sealing boots provide complete and reliable, cost-effective, long-term protection.



Toggle, Pushbutton, Rocker, Rotary Actuated Sealing Boots

## How HEXSEAL® & E-SEEL® Boots protect

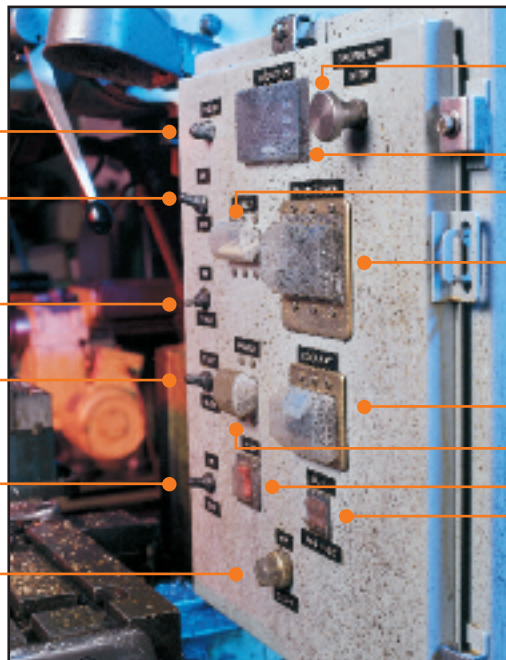
Working closely with switch, potentiometer and circuit breaker manufacturers and users for more than 60 years, APM has developed an extensive line of tough, pliant silicone rubber (other materials available for specific environments) panel seals that function harmoniously with the switch's manual and automatic operation and position status viewing. Our panel seals are UL 50 tested and Recognized. In this age of recalls and expensive field servicing, installing a HEXSEAL boot is the most effective and least expensive way to protect and guard against switch, circuit breaker and potentiometer failures.

## NEMA Mounted Enclosure Example – Switch & Circuit Breaker Boots

Pushbutton style front-of-panel mounted switch boot

Toggle style front-of-panel mounted switch boots

Pushbutton style front-of-panel mounted switch boot



Heavy duty, armored, stainless steel, mushroom head boot

Digital Panel Meter custom cover

Lever style back-of-panel mounted circuit breaker boots

Lever style front-of-panel mounted sealing boots

Lever style back-of-panel mounted circuit breaker boot

Rocker style front-of-panel mounted circuit breaker boots

## Color Matching

Standard colors are black and gray. Boots can be color-matched to panel/function coding.



## All standard EMI/RFI boots feature a knitted Monel shield





**REMOTE** HEXSEAL® boots protect switch, potentiometer & circuit breaker mechanisms from degradation due to harsh environments such as salt air/water, oils, dust and ice.



**EXTREME** HEXSEAL® boots will protect switches and keep them functioning to temperatures down to -94°F (-70°C).

## Typical Applications

- Marine instrument panels
- Military equipment and vehicles
- Food processing equipment
- Air conditioning systems
- Heat pumps
- Off-road construction equipment
- Machine tool controls
- Spas/hot tubs
- Commercial laundry equipment
- Construction elevator controls
- Waste treatment system controls
- Chemical plant process controls
- Paint spraying equipment
- Industrial machinery
- Medical electronic equipment
- Ground support equipment
- Electronic/electrical instrument control panels
- Emergency power equipment
- Outdoor compressor/pump controls
- Transport refrigeration systems
- Automotive diagnostic equipment
- Lighting control centers
- Commercial refrigeration systems
- Or any application requiring environmental protection for switches.

*Learn how others apply HEXSEAL®  
Switch Boots – visit our website  
“Sealing Solutions” application notes.*



**RUGGED** HEXSEAL® boots are used for controls protection in industrial, manufacturing and processing plants — hostile conditions which are dusty, dirty, greasy and corrosive.



**RELIABLE** Surgery rooms and food processing plants require frequent wash downs. Their switches benefit from HEXSEAL® IP66-68 Rated boots by maintaining dry, clean reliable performance.

## Features & Benefits

- **Designed and made in USA** ... to insure high, consistent quality with local full tech service backup.
- **Exclusive UL-Recognized HEXSEAL® & E-SEEL® Boots** ... facilitate easier “agency approval” of the equipment in which they are used. No other competitive seals in the world have these approvals.
- **Third party inspection** ... UL regularly inspects our facilities and products.
- **Military Specifications** ... most HEXSEAL® Boots are produced to meet MIL-DTL-5423 (see product pages specification charts).
- **Time Tested** ... since our original patents and for more than 60 years, millions of HEXSEAL® Boots reliably function in hostile conditions throughout the world.
- **Transparent RUBGLAS® (indicators) rugged silicone rubber material** ... resists tearing and most hostile environmental contaminants. Retains tactile feel, will not discolor, yellow, crack or dry out due to UV/aging.
- **Choose precise boot color for color matching** ... to match panel and/or delineate function – identification.
- **DFARS compliant**
- **RoHS compliant** ... per document 2002/95/EC
- **Patented perimeter sealing rib** ... seals the switch/circuit breaker panel-mounting cutout, preventing contaminant seepage.
- **Toggle actuated boots feature secondary inner seal** ... to protect against contaminant entry in the event the upper chamber portion is punctured. And, also protects against differential pressure. (See figure 4.)
- **All toggle and pushbutton boots feature high-strength rubber-to-metal bond** ... cross-linking adhesion assures rubber will not separate from the mounting nut.
- **Pre-lubricated (optional) half-toggle and full-toggle boots** ... assure easier installation on large diameter actuators.
- **Custom design requirements welcome** ... in addition to standard products described in this catalog, APM provides technical design assistance with fast, economical prototyping.

# CROSS REFERENCES – UNSEALED SWITCHES

(Partial list – consult factory for additional listings for these and other manufacturers)

## Toggle Switches

APM Hexseal P/N*	Carlingswitch	E-Switch	Cutler Hammer	Gaynor	Siemens	Sensata	Honeywell	ITT (C&K)	APEM	Eaton
<b>Boots</b>	<b>Toggle Switches</b>									
<b>Your choice of...</b> Full-toggle boot: (15/32-32 Thread) N1030 IN1030 IQ1030 C1131/27 C1131/28 <b>or</b> Half-toggle boot: (15/32-32 Thread) N1030B C1132/20	I & G Series with 52, 63, or 73 style toggle actuator F Series with 22, 62, 63, or 73 style toggle actuator H Series with 63 or 73 style toggle actuator C Series with 52 or 73 style toggle actuator 110/216 Series with 21, 22, 52, 63, / 73 style toggle actuator (Model Numbers: 110, 111, 112, 160, 216, 316, & 516) D Series DK/EK Series with 32, 72, or 73 style toggle actuator	100 Series W/T7 actuator  100 Series W/T8 actuator	8690K1/K2  73xxK Series through 76xxK Series  82xxK Series 83xxK Series	6600 Series  7000 Series 7100 Series 7200 Series  9000 Series 9100 Series 9200 Series	W31 Series	AP12 Series AP112 Series (Requires APM adt Bushing 2500/1/5, 15/32-32 to 3/8-32)  B1/B2 Series (Snapak) (Requires APM boot with 1/2-32 threaded insert)	NT Series (Non-locking Actuator)	7000 -T & T1 Series (15/32-32 Thread)  9000 -T & T1 Series (15/32-32 Thread)	ST2 Series	8510 - 8512 Series 8520 - 8522 Series 8526 - 8528 Series 8566 - 8568 Series 8530 - 8532 Series 8533 - 8535 Series 8500 - 8502 Series 8570 - 8572 Series  A3-200 Series A3-210 Series  8836 - 8838 Series 8843 - 8845 Series 8866 - 8869 Series

## Locking Toggle Switches

APM Hexseal P/N*	Honeywell	Eaton
<b>Boots</b>	<b>Locking Toggle Switches</b>	
Locking Toggle Boots: (15/32-32 Thread) 1132/31 C1132/26	11TW1-2 Series 11TW1-3 Series 11TW1-8 Series  12TW1-2 Series 12TW1-3 Series 12TW1-8 Series  2LT1 Series	8536 - 8538 Series 8503 - 8505 Series 8573 - 8575 Series  8505A3-213 Series 8505A3-209 Series  8836 - 8838 Series 8843 - 8845 Series 8855 Series 8866 - 8869 Series

## Rotary Switches

APM Hexseal P/N*	Grayhill	Honeywell-Clarostat
<b>Rotary Shaft Seals</b>	<b>Rotary Switch Series</b>	
N9042x1/8 1/4-28 thd.	STD. 1/8 (.125) shaft 50 std, 51 std, 56 std., 26, 51	
N9030x1/4 3/8-32 thd. (M5423/09-02)	1/4 (.250) shaft 19, 24, 50, 51, 5000, 71B, 71MB, 71BF, 71MBF, 62A, 62V, 62D, 62F, 62R, 61A, 61B, 61C, 61S (.250 shaft), 61K, 61R, 61Z, 25, 25L, 71 (.250 shaft), 42, 43, 44, 54, 53, 57, 59	1/4 (.250) shaft H - CL Series 73, 308, 309, 380C3, 600EN
N9030x1/8 3/8-32 thd. (M5423/09-01)		1/8 (.125) shaft 388L, RA10L, RA20L, RV4L, RV6L, 308L, 309L
N9040x1/8 1/4-32 thd. (M5423/09-03)	1/8 (.125) shaft 71A, 71MA, 71AF, 71MAF, 71BT, 61M, 61S (.125 shaft), 71 (.125 shaft), 08, 09	1/8 (.125) shaft 388N, 389N, 392, 308N, 309L, RA10N, RA20N, RV4N, RV6N
N9063x1/4 1/2-32 thd. (M5423/09-06)	1/4 (.250) shaft 63K, 63R	

## Rocker Switches

APM Hexseal P/N	Compatible with these Rocker Switch Manufacturers (Partial List)
C1111/7	Consult Factory
C1113/62	Eaton/Arrow Hart – 2600 Series
C1113/63	Eaton/Arrow Hart – 2600 Series
C1113/66	Carlingswitch #621
C1113/70	Carlingswitch RSC Series
C1113/71	Carlingswitch M Series Sensata R11 Eaton/Heinemann LC-1 Siemens W-33 Carling LT16
C1113/75	Carlingswitch M Series Sensata R21 Eaton/Heinemann LC-2
C1213/53	Oslo S Series
C1213/60	Oslo S Series



\*For metric sizes consult factory.

## Pushbutton Switches

APM Hexseal P/N*	Eaton	Carling	Gaynor	Siemens	NKK
<b>Pushbutton Boots</b>	<b>Pushbutton Switch Series</b>				
Pushbutton boots: (15/32-32 Thread or 7/16-28 Thread) NC3030, C1231/42	7835 K 12A, 7836 K 11B 8411/K7/K8/K12, 8418/K2/K12 8432, 8433, 7193/K101 8943/K28/K29, 8980/K202 7228K2, 7227K2, 7229K2	16-3P, 170/172 110/316P, 641	6611, 6612 6616, 6617 7000, 7100	W58 - 4 W58 - 1	MB2000 SB 265 SCB - 2A
Pushbutton boots: (15/32-32 Thread or 7/16-28 Thread ) N3030 C1231/41	Eaton 8440 8411 K5/K13 8418 K1/K11 8448 K1/K2 8943 K28/K29	Carling "P" P26 P27	Siemens W58 - 4 W58 - 1 W58 Series (15/32-32 Thread or 7/16-28 Thread)	Honeywell 2PB Series (15/32-32 Thread)	APEM 300 Series (With T1 option)  C&K 8500M 8500S 8500T

**NOTE:** 7/16-28 thread needs to be requested where required for proper fit. M12 thread needs to be requested where required for proper fit as well.

# CROSS REFERENCES – UNSEALED SWITCHES

(Partial list – consult factory for additional listings for these and other manufacturers)

(Continued)

## Toggle Switches

APM Hexseal P/N*	Eaton	Carling	Gaynor	Siemens	NKK	Honeywell	APEM	ITT (C&K)
<b>PUSHBUTTON BOOTS</b>	<b>Pushbutton Switch Series</b>							
Pushbutton boots: (15/32-32 Thread or 7/16-28 Thread) NC3030 C1231/42	7835 K 12A, 7836 K 11B, 8411/K7/K8/K12, 8418/K2/K12, 8432, 8433, 7193/K101, 8943/K28/K29, 8980/K202, 7228K2, 7227K2, 7229K2	16-3P 170/172 110/316P 641	6611, 6612, 6616, 6617, 7000, 7100	W58 - 4 W58 - 1	MB2000 SB 265 SCB - 2A			
Pushbutton boots: (15/32-32 Thread or 7/16-28 Thread ) N3030 C1231/41	8440 8411 K5/K13 8418 K1/K11 8448 K1/K2 8943 K28/K29	"P" P26 P27		W58 - 4, W58 - 1  W58 Series (15/32-32 Thread or 7/16-28 Thread)		2PB Series (15/32-32 Thread)	300 Series (With T1 option)	8500M 8500S 8500T

\*For metric sizes consult factory.

## SEALED SWITCHES

### Panel Bushing Washer

APM Hexseal P/N	APEM	Honeywell	Eaton	ITT (C&K)
<b>SEALING WASHERS</b>	<b>Sealed Toggle Switches</b>			
Compatible Switch Bushing 15/32-32  60064 Diameter .677" Thickness .120"	ST1-1KM4 & M5 Series ST1-2KM4 & M5 Series ST1-3KM4 & M5 Series ST1-4KM4 & M5 Series ST1-5KM4 & M5 Series	11TW1-2 Series 11TW1-3 Series 11TW1-8 Series (With Suffix D, F, G)  12TW1-2 Series 12TW1-3 Series 12TW1-8 Series (With Suffix D, F, G)	8510 - 8512 Series 8520 - 8522 Series 8526 - 8528 Series 8566 - 85 68 Series 8530 - 85 32 Series 8536 - 85 38 Series 8533 - 8535 Series 8500 - 8502 Series 8503 - 8505 Series 8570 - 8572 Series 8573 - 8575 Sereis	7000 Series  T and T1 Miniature Toggle Switches
60225 Diameter .665" Thickness .110"	ST2-1KM4 & M5 Series ST2-2KM4 & M5 Series ST2-3KM4 & M5 Series ST2-4KM4 & M5 Series ST2-5KM4 & M5 Series ST2-6KM4 & M5 Series ST2-7KM4 & M5 Series ST2-8KM4 & M5 Series	11ST Series  1TL1 Series 2TL1 Series 4TL1 Series	A3-209 Series A3-210 Series  8836 - 8838 Series 8843 - 8845 Series 8866 - 8869	

### Cross Reference N.S.N. Series to APM Part Numbers

Series	Item Description
5305-	Self-Sealing Fasteners – Screws
5306-	Self-Sealing Fasteners – Bolts
5309-	Self-Sealing Fasteners – Bolts
5310-	Switch Sealing Boots
5320-	Self-Sealing Fasteners – Rivets
5325-	Switch Sealing Boots
5330-	Switch Sealing Boots
5340-	Circuit Breaker Boots
5925-	Circuit Breaker Boots
5930-	Switch Sealing Boots
5975-	Switch Sealing Boots
5999-	EMI/RFI Suppression Switch Sealing Boots
6210-	Incandescent Lamp Filters
6220-	Incandescent Lamp Filters



## Meets Military Specifications\*\*

Government Designation	APM Part Number	Government Designation	APM Part Number
M5423/01-01	N-1030	M5423/09-07	N9030 1/8 RF1
M5423/01-02	IN1030RFI	M5423/09-08	N9030 1/4 RF1
M5423/02-01	N-1030B	M5423/09-09	N9040 1/8 RF1
M5423/03-01	2030-B	M5423/09-10	N9060 1/4 RF1
M5423/04-01	N-5030	M5423/09-11	N9065 x 3/8 RF1
M5423/05-01	N-5030L	M5423/09-12	N9063 1/4 RF1
M5423/05-02	N-5030R	M5423/09-14	N9033 1/4 RF1
M5423/06-01	3070	M5423/10-01	N-5040G
M5423/06-02	3075	M5423/10-02	N-5040R
M5423/06-03	3073	M5423/10-03	N-5040
M5423/06-04	3077	M5423/11-01	N-5032B
M5423/07-01	N-3030	M5423/12-A9	1112/7
M5423/07-02	NC-3030	M5423/13-01	HE1076
M5423/07-03	NH-3030	M5423/13-02	HE1077
M5423/07-04	N-3040	M5423/13-03	HE1075/3
M5423/07-05	NH-3030S	M5423/14-01	HE1040
M5423/07-06	N-3030RFI	M5423/14-02	HE1035
M5423/07-07	NC-3030RFI	M5423/14-03	HE1070
M5423/07-08	NH-3030RFI	M5423/14-04	HE1080
M5423/07-09	N-3040RFI	M5423/14-05	HE1015
M5423/07-10	NH-3030SRFI	M5423/14-06	HE1020
M5423/07-11	N-3030-2513	M5423/14-07	HE1050
M5423/07-12	NC-3030-2513	M5423/14-08	1113/26
M5423/09-01	N-9030-1/8	M5423/15-01	1211/13
M5423/09-02	N-9030-1/4	M5423/15-02	1211/14
M5423/09-03	N-9040-1/8	M5423/15-03	1211/31
M5423/09-04	N-9060-1/4	M5423/16-01	60225
M5423/09-05	N-9065-3/8	M5423/16-01	60064
M5423/09-06	N-9063-1/4		

\*\*APM's policy is to manufacture our HEXSEAL® sealing boots as defined by the requirements of MIL-Spec MIL-DTL-5423 which we regard as the standard for the switch, circuit breaker and potentiometer industry. These requirements were formulated based on our original patent.

DFARS material is standard on all boots.

Cage Code: 97539

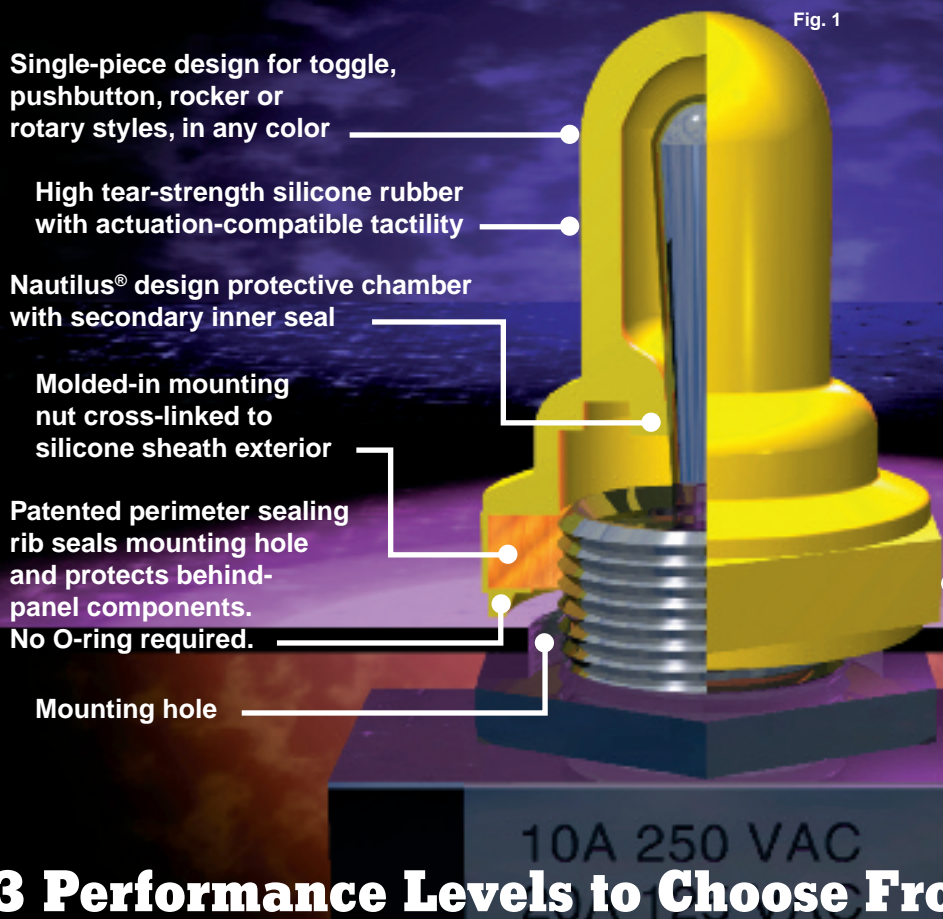
# Anatomy of a Hermetic Sealing Boot

The cut-a-way of the boot shown contains an integral secondary seal (Fig. 1) that provides additional protection against differential pressure (inside equipment vs atmospheric) that compresses/seals the toggle-actuator. The secondary chamber also creates a second-barrier should the top half be breached or compromised in any way. All HEXSEALS and E-SEELS also feature our patented flange sealing rib to prevent leakage from seeping past the mounting hole.

Two mounting methods are offered. Our standard bonded nickel-plated brass mounting-nut which replaces the switches original exterior mounting-nut (which is discarded) and an optional method that uses a bonded aluminum IQ Concentro-Nut™ (Fig. 2) that fits over the original switch exterior mounting nut. The Concentro-Nut option is ideal for maintenance servicing applications where minimum switch disturbance is desirable.

The switch mounting holes on hermetically sealed switches also need environmental panel protection from possible contaminant seepage, i.e., moisture, dust, spilled coke and coffee, etc. For this reason, APM has developed a bonded silicone rubber-stainless steel switch bushing seal (Fig. 3). This special seal, specifically designed for hermetically sealed switches, is superior to ordinary O-rings or washers and meets the stringent requirements of MIL-DTL-5423/16-01, MS 25196, and is a UL recognized component.

## Protects an Unsealed Switch



Single-piece design for toggle, pushbutton, rocker or rotary styles, in any color

High tear-strength silicone rubber with actuation-compatible tactility

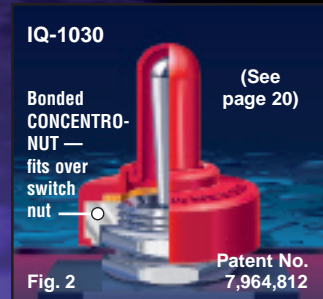
Nautilus® design protective chamber with secondary inner seal

Molded-in mounting nut cross-linked to silicone sheath exterior

Patented perimeter sealing rib seals mounting hole and protects behind-panel components. No O-ring required.

Mounting hole

Fig. 1



**Sealed switches require panel cut-out protection ...**

Bushing seal for protection of hermetically sealed switches

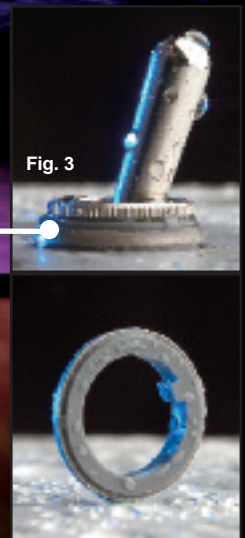


Fig. 3

## 3 Performance Levels to Choose From

<b>SNAP-SEALS®</b>	<b>E-SEELS®</b>	<b>HEXSEALS®</b>
<p><b>GOOD</b> • Commercial Grade •</p> <ul style="list-style-type: none"> <li>• Neoprene rubber</li> <li>• Two-piece design</li> <li>• -65°F to +300°F (-53°C to +148°C) temperature range</li> <li>• Suitable for some commercial and consumer applications including low-cost appliances and tools</li> </ul>	<p><b>BETTER</b> • Industrial Grade •</p> <ul style="list-style-type: none"> <li>• UL-recognized component for US &amp; Canada</li> <li>• High tear-strength silicone rubber (other materials available)</li> <li>• Single-piece construction</li> <li>• -80°F to +400°F (-62°C to +204°C) temperature range</li> <li>• Suitable for industrial and commercial applications</li> </ul>	<p><b>BEST</b> • Military Grade •</p> <ul style="list-style-type: none"> <li>• High tear-strength silicone rubber per A-A-59588, Class 3B (other materials available)</li> <li>• Single-piece design</li> <li>• -94°F to +400°F (-70°C to +204°C) temperature range</li> <li>• Suitable for military and industrial applications</li> <li>• UL-recognized component for US &amp; Canada</li> </ul>

# Technical References

## SURVIVING HOSTILE CONTROL SYSTEM ENVIRONMENTS

There is an IP-rated UL-recognized environmental sealing boot expressly designed for selected control components (e.g., switches, circuit breakers, potentiometers, panel meters) that mates with and will provide a number of benefits consistent with design considerations that comply with MIL-DTL-5423 specifications. Originally designed for U.S. military naval applications — rugged handling (with and without gloves), corrosive atmospheres, lubricant contact, frequent wash-downs — these sealing boots have repeatedly proven their battle-tested worthiness. By supporting all the major manufacturers of switches, potentiometers, and circuit breakers, the same protection and reliability are available for a wide spectrum of commercial and industrial switches through the APM HEXSEAL® and E-SEEL® sealing boot system. The following reference data and cross reference charts should be helpful in making your selection, however please do not hesitate to contact our sales support department for assistance.

### Enclosure Ratings

To cost-effectively satisfy this application diversity, manufacturers of electrical/electronic equipment enclosures offer a range of products which provide varying degrees of environmental protection. In the interest of “standardizing” an

electrical enclosure’s performance, standards-making organizations such as NEMA, UL, CSA, and IEC have established various standards (Table 1).

Use of NEMA ratings does not require independent testing. Compliance is left to the manufacturer. On the other hand, UL conducts an independent evaluation of the submitted product. Tests are performed either at UL’s laboratories or witnessed by UL engineers at the manufacturer’s location. In addition, UL requires follow-up inspections (which may include testing) to assure adherence to prescribed materials and manufacturing procedures.

These ratings provide a quantitative measure of an enclosure’s ability to operate in the environment in which it will be used. Each rating defines the degree of protection against rain, snow, sleet, wind-blown dust, hosedown, corrosive agents, and occasional submersion.

While the detailed wording of ratings from standard to standard varies, each is based on similar application descriptions and performance expectations (Table 2). For example, an enclosure meeting UL Standard 50, Type 6 ratings (and similarly NEMA Standard No. 250, Type 6) is designed for indoor and outdoor use. It provides the degree of protection against hosedown, icing, dust, and the entry of water during temporary submersion at the limited depth required for this rating.

**Table 1.  
Selected Electrical Enclosure Standards**

- National Electrical Manufacturers Association NEMA Standards Publication No. 250, “Enclosures for Electrical Equipment”
- National Electrical Manufacturers Association NEMA Standards Publication No. ICS6, “Enclosures for Industrial Controls and Systems”
- Underwriters Laboratories Inc. UL 50, “Standard for Safety, Enclosures for Electrical Equipment”
- Underwriters Laboratories Inc. UL 508, “Standard for Safety, Industrial Control Equipment”
- Canadian Standards Association CSA Standard C22.2 No. 94 “Industrial Control Equipment for Use in Ordinary (Non-Hazardous) Locations”
- International Electrotechnical Commission, IEC 60529 (Ed. 2.1 b:2001) “Degree of Protection Provided by Enclosures (IP code)”

**Table 2. NEMA Enclosure Types**

Type	Intended Use and Description for Electrical Equipment
1	Indoor use primarily to provide a degree of protection against limited amounts of falling dirt.
2	Indoor use primarily to provide a degree of protection against limited amounts of falling water and dirt.
3	Outdoor use primarily to provide a degree of protection against rain, sleet, windblown dust and damage from external ice formation.
3R	Outdoor use primarily to provide a degree of protection against rain, sleet, and damage from external ice formation.
3S	Outdoor use primarily to provide a degree of protection against rain, sleet, windblown dust and to provide for operation of external mechanisms when ice laden.
4	Indoor or outdoor use primarily to provide a degree of protection against windblown dust and rain, splashing water, hose-directed water and damage from external ice formation.
4X	Indoor or outdoor use primarily to provide a degree of protection against corrosion, windblown dust and rain, splashing water, hose-directed water and damage from external ice formation.
5	Indoor use primarily to provide a degree of protection against settling airborne dust, falling dirt, and dripping noncorrosive liquids.
6	Indoor or outdoor use primarily to provide a degree of protection against hose-directed water, and the entry of water during occasional temporary submersion at a limited depth and damage from external ice formation.
6P	Indoor or outdoor use primarily to provide a degree of protection against hose-directed water, the entry of water during prolonged submersion at a limited depth and damage from external ice formation.
12	
12K	Indoor use primarily to provide a degree of protection against circulating dust, falling dirt, and dripping noncorrosive liquids.
13	Indoor use primarily to provide a degree of protection against dust, spraying of water, oil, and noncorrosive coolant.



UL/NEMA Rating	Nearest Equivalent IP Code
1	IP 20
2	IP 22
3 & 3S	IP 55
3R	IP 24
4 & 4X	IP 66
5	IP 53
6	IP 67
6P	IP 68
12, 12K & 13	IP 54
IEC has no equivalents to UL/NEMA enclosure types 7, 8, 9, 10, or 11	

IEC enclosure protection requirements are defined in IEC 60529, Degree of Protection Provided by Enclosures (IP Code). This standard defines protection against hazardous contact by personnel and by entry of solids and liquids. Requirements for protection against corrosion and other in-use conditions are covered by the IEC standard for the overall product or by requirement specified by the user.

Within this context, Hexseals® and E-Seels® would have the following Maximum IP Rating: ➡

Hexseals® and E-Seels® for:	UL Recognized Ratings (to Std UL 50)*	IP Rating*
Toggle Boots	Types 1, 2, 3, 4, 4X 5, 6, 6P, 12, 12K, 13	IP 66 / IP 68
Pushbutton Boots	Types 1, 2, 3, 4, 4X 5, 6, 6P, 12, 12K, 13	IP 66 / IP 68
Rocker Switch Boots	Types 1, 2, 3R, 5, 12, 12K, 13	IP 55

A dual IP code rating indicates protection against both water jets and water submersion. Rating a product for water immersion (“7” or “8” second digit) does NOT guarantee compliance against water jets from equipment hose down or equal in-use conditions.

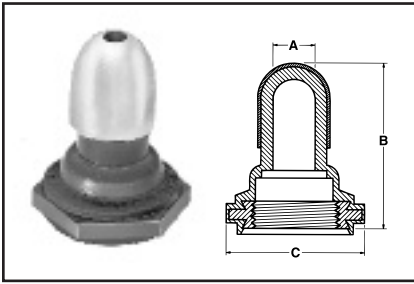
**\*These ratings are based on standardized tests. APM recommends that the user review the actual installation for product suitability. APM welcomes the opportunity to work with the user to assist in finding the most cost-effective sealing solution.**

IP CODE																																					
<b>IEC 60529 DEGREES OF ACCESS TO HAZARDOUS PARTS, FIRST CHARACTERISTIC NUMERAL</b>	<b>IEC 60529 DEGREES OF PROTECTION AGAINST WATER INGRESS, SECOND CHARACTERISTIC NUMERAL</b>																																				
<b>First Characteristic Numeral: With Respect to Solid Foreign Objects</b>	<b>Second Characteristic Numeral: With Respect to the Harmful Ingress of Water</b>																																				
<table border="1"> <thead> <tr> <th>IP</th> <th>Description</th> </tr> </thead> <tbody> <tr> <td>0</td> <td>Non-protected</td> </tr> <tr> <td>1</td> <td>Protected against solid foreign objects <math>\geq</math> 50 mm diameter</td> </tr> <tr> <td>2</td> <td>Protected against solid foreign objects <math>\geq</math> 12.5 mm diameter</td> </tr> <tr> <td>3</td> <td>Protected against solid foreign objects <math>\geq</math> 2.5 mm diameter</td> </tr> <tr> <td>4</td> <td>Protected against solid foreign objects <math>\geq</math> 1.0 mm diameter</td> </tr> <tr> <td>5</td> <td>Dust-protected (Dust shall not penetrate in quantity to interfere with satisfactory operation of the apparatus or to impair safety)</td> </tr> <tr> <td>6</td> <td>Dust-tight (No ingress of dust)</td> </tr> </tbody> </table>	IP	Description	0	Non-protected	1	Protected against solid foreign objects $\geq$ 50 mm diameter	2	Protected against solid foreign objects $\geq$ 12.5 mm diameter	3	Protected against solid foreign objects $\geq$ 2.5 mm diameter	4	Protected against solid foreign objects $\geq$ 1.0 mm diameter	5	Dust-protected (Dust shall not penetrate in quantity to interfere with satisfactory operation of the apparatus or to impair safety)	6	Dust-tight (No ingress of dust)	<table border="1"> <thead> <tr> <th>IP</th> <th>Description</th> </tr> </thead> <tbody> <tr> <td>0</td> <td>Non-protected</td> </tr> <tr> <td>1</td> <td>Protected against vertically falling water drops</td> </tr> <tr> <td>2</td> <td>Protected against vertically falling water drops when enclosure tilted up to 15°</td> </tr> <tr> <td>3</td> <td>Protected against spraying water</td> </tr> <tr> <td>4</td> <td>Protected against splashing water</td> </tr> <tr> <td>5</td> <td>Protected against water jets</td> </tr> <tr> <td>6</td> <td>Protected against powerful water jets</td> </tr> <tr> <td>7</td> <td>Protected against the effects of temporary immersion in water</td> </tr> <tr> <td>8</td> <td>Protected against the effects of continuous immersion in water</td> </tr> </tbody> </table>	IP	Description	0	Non-protected	1	Protected against vertically falling water drops	2	Protected against vertically falling water drops when enclosure tilted up to 15°	3	Protected against spraying water	4	Protected against splashing water	5	Protected against water jets	6	Protected against powerful water jets	7	Protected against the effects of temporary immersion in water	8	Protected against the effects of continuous immersion in water
IP	Description																																				
0	Non-protected																																				
1	Protected against solid foreign objects $\geq$ 50 mm diameter																																				
2	Protected against solid foreign objects $\geq$ 12.5 mm diameter																																				
3	Protected against solid foreign objects $\geq$ 2.5 mm diameter																																				
4	Protected against solid foreign objects $\geq$ 1.0 mm diameter																																				
5	Dust-protected (Dust shall not penetrate in quantity to interfere with satisfactory operation of the apparatus or to impair safety)																																				
6	Dust-tight (No ingress of dust)																																				
IP	Description																																				
0	Non-protected																																				
1	Protected against vertically falling water drops																																				
2	Protected against vertically falling water drops when enclosure tilted up to 15°																																				
3	Protected against spraying water																																				
4	Protected against splashing water																																				
5	Protected against water jets																																				
6	Protected against powerful water jets																																				
7	Protected against the effects of temporary immersion in water																																				
8	Protected against the effects of continuous immersion in water																																				



FIGURE 4 Armored Full Toggle Boots – IP66/68 Rated

Figure 4



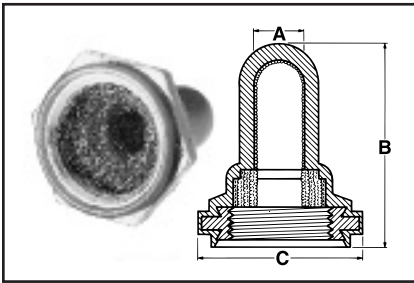
Thread Size	Max. Toggle Height Above Bushing (in.)	A Throat or I.D.		B Height		C Flat		Military Part Number	APM Boot Part Number	Color	HEXSEAL	E-SEAL
		in.	mm	in.	mm	in.	mm					
1 5/32-32NS-2B	.66	.219	5.55	.875	21.44	.625	15.88	—	N-1030A	Gray	•	



Nickel plated brass cap bonded to boot.

FIGURE 5 EMI/RFI Shielded Full Toggle Boots – IP66/68 Rated

Figure 5



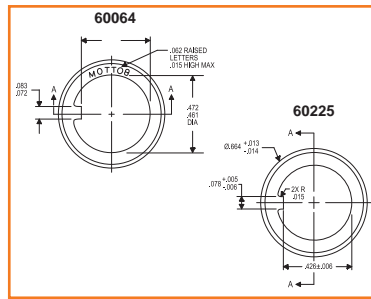
Thread Size	Max. Toggle Height Above Bushing (in.)	A Throat or I.D.		B Height		C Flat		Military Part Number	APM Boot Part Number	Color*	HEXSEAL	E-SEAL
		in.	mm	in.	mm	in.	mm					
1/4-40NS-2B	.36	.062	1.58	.500	12.70	.375	9.52	—	N-5030L RFI	Gray	•	
1 5/32-32NS-2B	.66	.219	5.55	.844	21.44	.625	15.88	M5423/01-02	IN-1030 RFI	Gray	•	
1/2-32NS-2B	.66	.219	5.55	.844	21.44	.625	15.88	—	IN-1030 RFI 1/2-32	Gray	•	
1/4-40NS-2B	.28	.062	1.58	.390	9.90	.375	9.52	—	N-5030R RFI	Gray	•	
1/4-40NS-2B	.50	.062	1.58	.594	15.08	.375	9.52	—	N-5030S RFI	Gray	•	

\*Other colors available. Please consult factory.

All standard EMI/RFI boots feature a knitted Monel shield. RFI/EMI shielded boots have an operational life of 15,000 actuations (minimum)

FIGURE 5a Sealed Switch Panel Cut-Out Sealing Bushing – IP66/68 Rated

Figure 5a



APM Part Number	Compatible Switch Bushing	Washer Diameter	Washer Thickness	Color	Conforms to*
60064	15/32-32	0.677"	0.120"	Gray	Meets MIL-B-5423/16-01, MS25196, UL & ULC Recognized Component
60225	15/32-32	0.660"	0.105"	Gray	

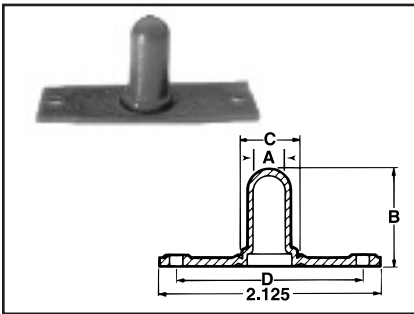
\*APM's policy is to manufacture our HEXSEAL® sealing boots as defined by the requirements of MIL-Spec MIL-DTL-5423 which we regard as the standard for the switch, circuit breaker and potentiometer industry. These requirements were formulated based on our original patent.

SEE PAGE 16 FOR FULL DETAILS

## Back-of-Panel Mounted Toggle Switch Boots

FIGURE 6 Full Toggle Boot

Figure 6

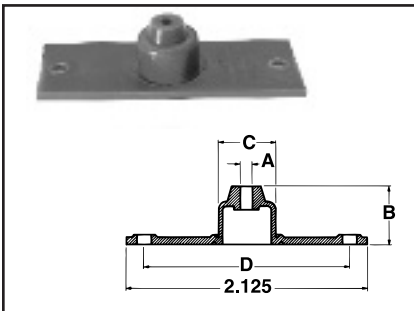


A Throat or I.D.		B Height		D Distance Between Mtg. Holes		Width		C Clearance Boot Hole Diameter		Military Part Number	APM Boot Part Number	Color*	HEXSEAL	E-SEAL
inch	mm	inch	mm	inch	mm	inch	mm	inch	mm					
.315	7.91	.938	23.82	1.813	46.04	.750	19.05	.510	12.95	—	2030	Gray	•	

\*Other colors available. Please consult factory.

FIGURE 7 Half Toggle Boot (Toggle Actuator Protrudes)

Figure 7



A Throat or I.D.		B Height		D Distance Between Mtg. Holes		Width		C Clearance Boot Hole Diameter		Military Part Number	APM Boot Part Number	Color*	HEXSEAL	E-SEAL
inch	mm	inch	mm	inch	mm	inch	mm	inch	mm					
.093	2.38	.500	12.70	1.813	46.04	.750	19.05	.510	12.95	M5423/03-01	2030B	Gray	•	

\*Other colors available. Please consult factory.

DIMENSIONS FOR REFERENCE ONLY.

Current dimensional drawings can be viewed on our website and CAD drawings can also be downloaded.





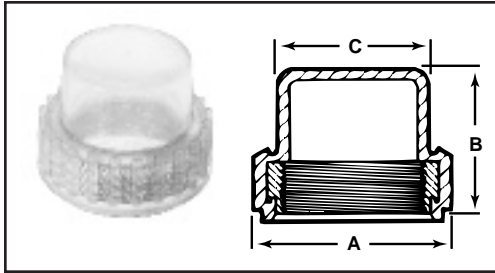


# Indicator & Illuminated Pushbutton Switch Seals

HEXSEAL® indicator and lighted pushbutton switch boots are molded from RUBRGLAS™, APM's proprietary transparent silicone rubber formulation, bonded to a threaded metal insert. Each encloses the base of the protruding indicator or lighted pushbutton switch bushing and forms a watertight and dust-tight seal against the front panel surface.

FIGURE 17 RUBRGLAS® Seals – IP66/68 Rated

Figure 17



Thread Size	A Width		B Height		C Boot O.D.		Fits Indicator Light #	Military Part Number	APM Boot Part Number	Color	HEXSEAL
	inch	mm	inch	mm	inch	mm					
1 1/16-32NS-2B	1.000	25.40	.750	19.04	.712	18.08	MS-25041	—	4082	Clear	•
1 1/16-32NS-2B	1.000	25.40	1.000	25.40	.712	18.08	—	—	4086	Clear	•
1 3/16-32NS-2B	1.125	28.58	.812	20.64	.843	21.43	—	—	4080	Clear	•
7/8-32NS-2B	1.125	28.58	.812	20.64	.858	21.79	—	—	4085	Clear	•
.850-24NS-2B	1.125	28.58	.812	20.64	.838	21.28	—	—	4088	Clear	•



RUBRGLAS™ seals have an operational life of 30,000 actuations (minimum), and a pressure rating of 15 psi internal/external.

Note: See page 20 for example of custom designed seals for lighted pushbutton switches. DIMENSIONS FOR REFERENCE ONLY.



## Colorizing Incandescent Lamp Filters Available

APM HEXSEAL also offers a broad range of silicone colorizing filters for miniature incandescent lamps. These easy-to-install filters turn a white/clear lamp into a colored indicator. Ask for SiliKrome® catalog SK100.

## Handset Switch Boots

Ideal for wireless communications applications, HEXSEAL® handset switch boots are engineered to rugged specifications, withstanding a minimum of half a million actuations.



### SPECIFICATIONS

- Material:** Boot: Silicone rubber. Conforms to A-A-59588 Gr. 50
- Temperature Range:** -94°F to +400°F (-70°C to +204°C)
- Shelf Life:** Excess of 25 years.
- Operational Life:** 500,000 actuations, minimum.
- Resistant to:** Salt spray, weather, sunlight, ozone and most acids
- Military Specifications\*:** Most Hexseal products meet MIL-DTL-5423. For listing, see page 6.

\*APM's policy is to manufacture our HEXSEAL® sealing boots as defined by the requirements of MIL-Spec MIL-DTL-5423 which we regard as the standard for the switch, circuit breaker and potentiometer industry. These requirements were formulated based on our original patent.

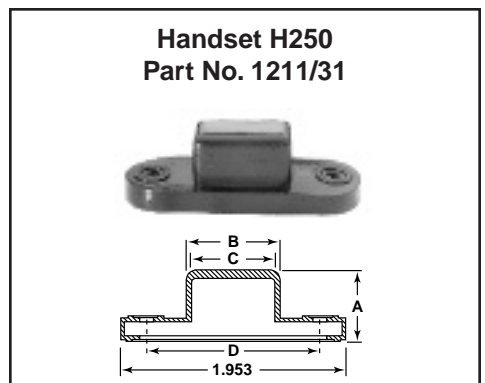
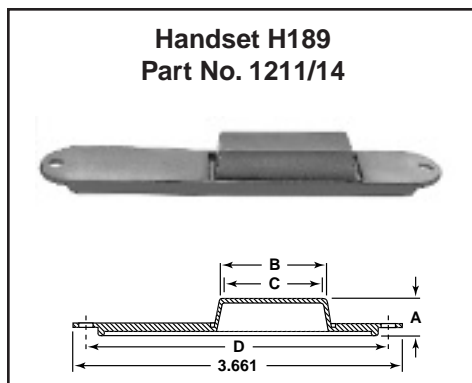
FIGURES 18, 19 & 20 DESCRIPTION	A		B		C		D Hole Locations		Width		Military Part Number	APM Part Number	Color*	HEXSEAL
	inch	mm	inch	mm	inch	mm	inch	mm	inch	mm				
Microphone M52, Handset H33/PT	.652	16.5	2.248	57.1	2.148	54.5	2.594	66.0	.612	15.5	M5423/15-01	1211/13	Gray	•
Handset H189	.406	10.4	1.300	33.0	1.250	31.7	3.380	85.9	.700	11.3	M5423/15-02	1211/14	Black	•
Handset H250	.576	14.6	.808	20.5	.718	18.2	1.500	38.0	.687	17.5	M5423/15-03	1211/31	Black	•

\*Other colors available. Please consult factory.

FIGURE 18

FIGURE 19

FIGURE 20



DIMENSIONS FOR REFERENCE ONLY.



# Bushing Seals for Sealed Switch Panel Mounting Hole

## Protect Against & Prevent Seepage/Leakage Through Switch Panel Cutout

These reusable self-sealing washers are designed for use with popular sealed switches and circuit breakers. While such sealed switches are designed to tolerate hostile environments (such as salt spray, wash-downs, lubricating fluids, weather, dust and other contaminants) that may compromise reliable switch operation, *they typically do not seal the panel cutout in which they are mounted.* Hence, these same contaminants may "leak past" the bushing through the panel cutout causing equipment/system failures.

Designed to prevent such leakage, each is fabricated from a stainless steel washer with a bonded high-tear strength silicone rubber sealing ring. The soft resilient ring conforms to the panel surface to seal out harmful contaminants.

- Seals the panel cutout in which the circuit breaker is mounted, protecting behind-panel components from dirt/moisture. No O-ring required.
- Reusable in the event the switch or circuit breaker fails and replacement is needed.
- Easy to install without the need for special tools, sealing compounds, sealing tapes, et al.
- Does not compromise switch or circuit breaker performance.
- Meets stringent Military, UL and Canadian National Standards regarding environmental requirements for electrical enclosures.
- UL Recognized for Type 4X & Type 6 enclosure protection.
- Meets IEC IP66/68 enclosure protection

### SPECIFICATIONS

<b>Material</b> .....	Stainless steel with bonded silicone rubber conforms to A-A-59588 GR. 50 (both sides P/N 60064; one side only P/N 60225)
<b>Temperature Range</b> ....	-94°F to +400°F (-70°C to +204°C)
<b>Mounting</b> .....	Either Front or Behind Panel
<b>Shelf Life</b> .....	In excess of 25 years
<b>Resistant to</b> .....	Salt spray, sunlight, ozone, weather, fungus, and most acids and lubricating oils
<b>Agency Recognition</b> ...	UL-Recognized Component to UL Std. 50, Types 1, 2, 3(R)(S), 4(X), 6, 12 & 13. UL Recognition also includes compliance with Canadian National Standards.

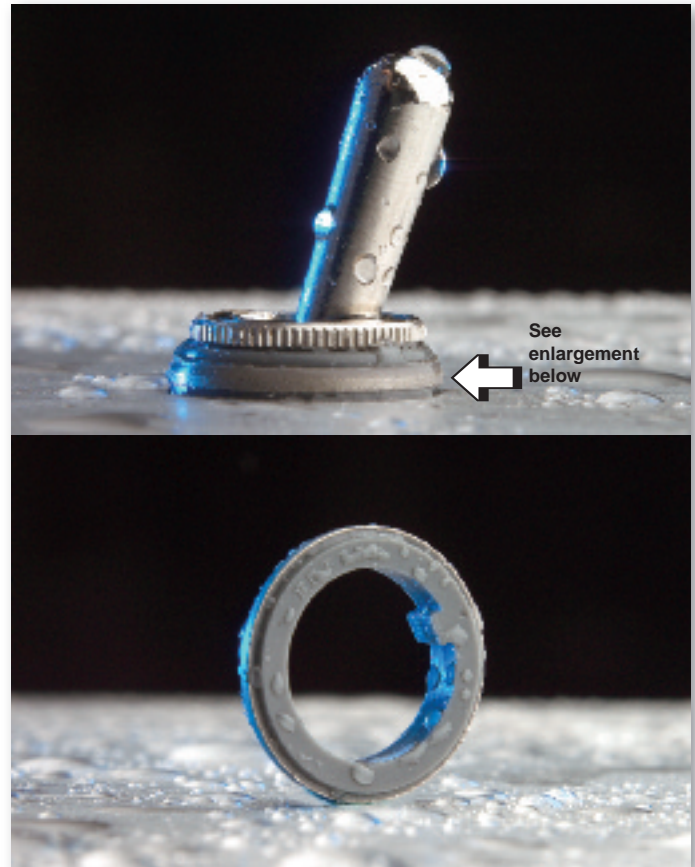
### HOW TO ORDER

Specify selected APM boot part number shown in chart below.

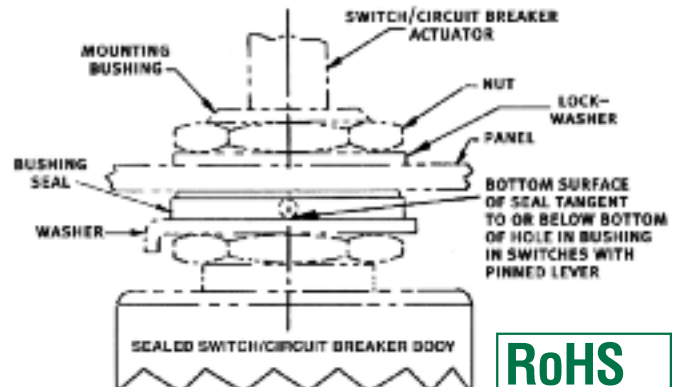
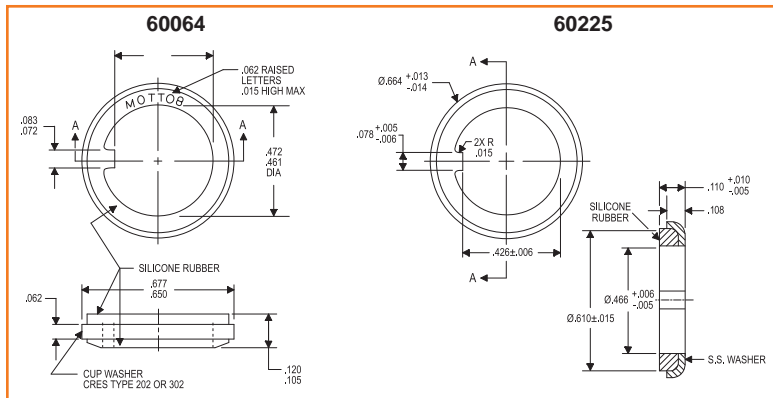
APM Part Number	Compatible Switch Bushing	Washer Diameter	Washer Thickness	Color	Conforms to*
60064 60225	15/32-32	0.677" 0.660"	0.120" 0.105"	Gray	Meets MIL-DTL-5423/16-01, MS25196, UL & ULC Recognized

\*APM's policy is to manufacture our HEXSEAL® sealing boots as defined by the requirements of MIL-Spec MIL-DTL-5423 which we regard as the standard for the switch, circuit breaker and potentiometer industry. These requirements were formulated based on our original patent.

**Note: Where the possibility of build up of ice, dirt or other contaminants can accumulate in the toggle breaker external actuating mechanism, we recommend using a full or half silicone sealing boot which will protect the actuator mechanism and keep it operating smoothly, and its perimeter seal will protect the mounting hole from potential seepage.**



Visit our website for dimensional drawings and to download CAD drawings.





# Rocker Switch Boots

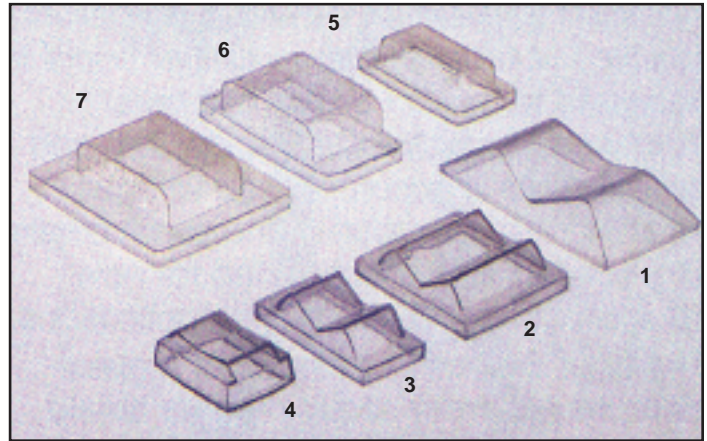
E-SEEL® (Rock-R-Seel™) rocker switch boots are molded from RUBRGLAS™ — APM's proprietary high tear-strength, transparent silicone rubber. These durable and flexible boots seal out dust, dirt, and moisture ... without compromising switch operability, position status viewing or legend visibility. Each is designed to fully enclose the switch bezel, while our unique molded-in "panel sealing rib" forms a watertight and dust-tight seal against the front panel surface.

## SPECIFICATIONS

**Material:** APM RUBRGLAS™ (transparent silicone rubber), polymer type, ASTM D1418  
**Temperature Range:** -80°F to +400°F (-62°C to +204°C)  
**Operational Life:** 50,000 actuations (minimum)  
**Resistant to:** Salt spray, sunlight, ozone, weather, fungus, and most acids and lubricating oils  
**Agency Recognition:** Rock-R-Seels™ are UL-Recognized Components for US & Canada to UL Std. 50, types 1, 2, 3R, 5, 12, 12K, 13  
**Shelf Life:** Excess of 25 years

## HOW TO ORDER

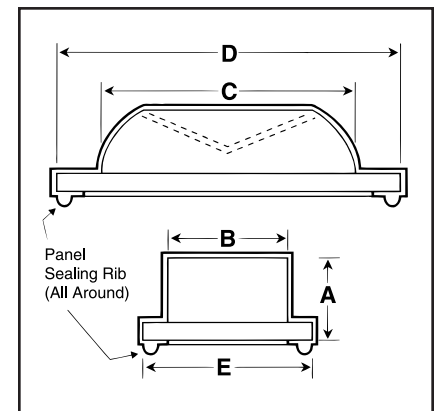
Specify APM boot part number.



PHOTOS 1-7

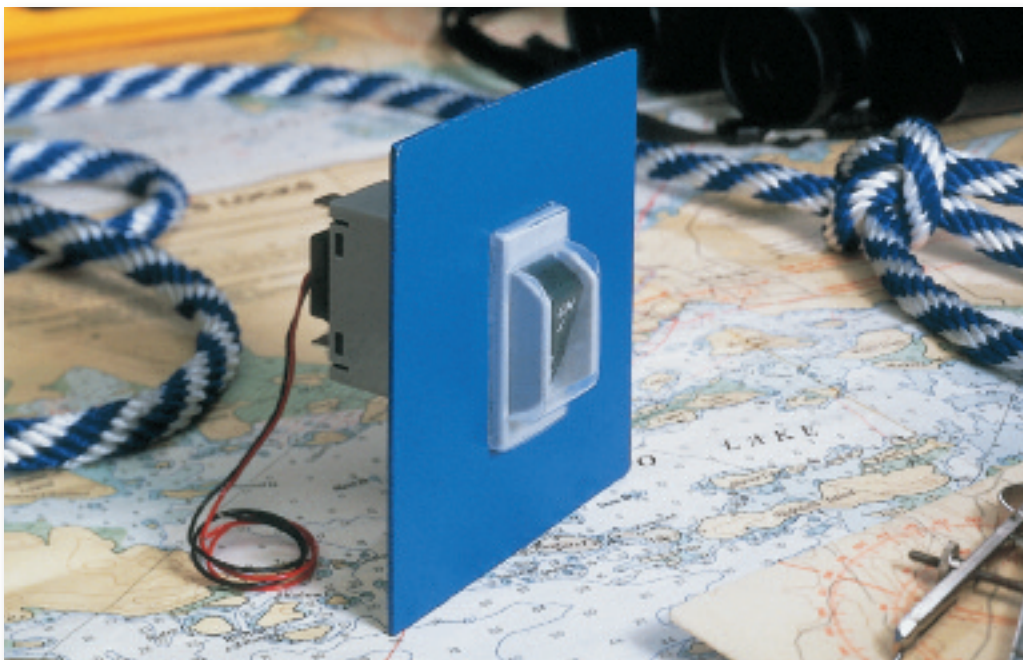
## IP54 Rated

Photo #	E-SEEL Part #	Dimensions										Compatible with These Rocker Switch Manufacturers (Partial List)
		A		B		C		D		E		
		in.	mm	in.	mm	in.	mm	in.	mm	in.	mm	
1	C1111/7	.359	9.13	.609	15.48	.937	23.81	1.703	43.26	.900	22.87	Consult Factory
2	C1113/62	.297	7.54	.797	20.24	.687	17.46	1.093	27.78	.968	24.61	Eaton/Arrow Hart – 2600 Series
3	C1113/63	.297	7.54	.406	10.32	.687	17.46	1.093	27.78	.515	13.10	Eaton/Arrow Hart – 2600 Series
4	C1113/66	.228	5.79	.348	8.84	.531	13.46	.750	19.05	.531	13.49	Carlingswitch #621
5	C1113/70	.297	7.54	.437	11.11	.875	22.23	1.218	30.96	.640	16.27	Carlingswitch RSC Series
6	C1113/71	.413	10.49	.687	17.46	1.046	26.59	1.327	36.51	.703	17.86	Carlingswitch M Series Sensata R11
	C1113/80	.560	14.22	.750	19.05	1.375	34.92	1.750	44.45	.900	22.86	Eaton/Heinemann LC-1 Potter W-33 Carling LT16
7	C1113/75	.413	10.49	.687	17.46	1.046	26.59	1.437	36.51	1.390	35.32	Carlingswitch M Series Sensata R21 Eaton/Heinemann LC-2
Not Shown	C1213/53	.312	9.14	.700	19.81	.700	19.81	1.120	29.21	.800	23.11	Oslo S Series
	C1213/60	.350	10.16	1.000	21.08	.820	21.08	1.120	29.21	.800	23.11	Oslo S Series



DIMENSIONS FOR REFERENCE ONLY.

Current dimensional drawings can be viewed on our website and CAD drawings can also be downloaded.



**Example:**  
 Carling Technologies  
 M Series Rocker Actuator Switch  
 with C1113/71 E-SEEL

# Economy Switch Seals

## SNAPSEELS®

SNAPSEELS® combine economy with performance for more moderate temperature conditions and lower-demand commercial-grade applications. Each consists of a molded neoprene boot which snaps over a specially designed shouldered mounting nut. These inexpensive boots are an ideal way to protect switches and potentiometers against dust, dirt, grease and moderate amounts of moisture.

### SPECIFICATIONS

**Material:** Boot: Neoprene.  
**Color:** Black (other materials and colors available on special order.)  
**Temperature Range:** -65°F to +300°F (-53°C to +148°C)  
**Shelf Life:** 2 years.  
**Mounting Nut:** Aluminum (see table below)  
**Installation:** A. Mount the switch using SNAPSEEL shouldered mounting nut.  
 B. Press SNAPSEEL over switch actuator and snap over nut.

### HOW TO ORDER

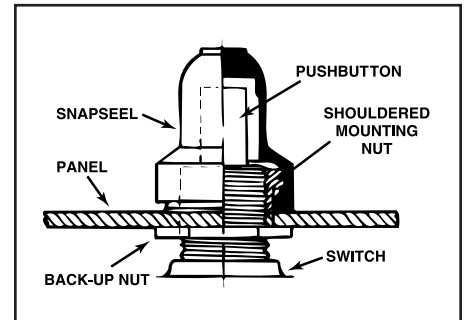
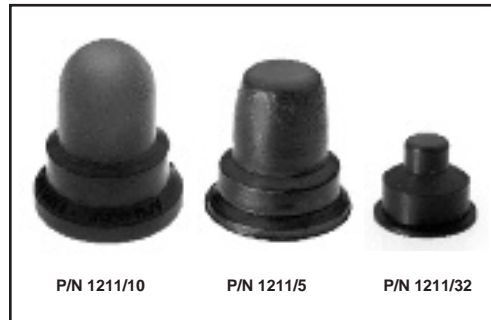
Select boot to fit switch type and dimensions. Choose shouldered mounting nut to mate with selected boot. **SEE TABLE BELOW FOR SHOULDERED MOUNTING NUT OPTION.** For example: When ordering a pushbutton boot PN 1211/10, also order its companion shouldered mounting nut P/N 2120/122/1.

## Pushbutton Boots

**Part No. 1211/10**  
 Pushbutton Height from panel: Up to 9/16"  
 Pushbutton Diameter: Up to 1/4"  
 Bushing Diameter: 15/32" maximum

**Part No. 1211/5**  
 Pushbutton Height from panel: Up to 9/16"  
 Pushbutton Diameter: Up to 1/4"  
 Bushing Diameter: 3/8" maximum

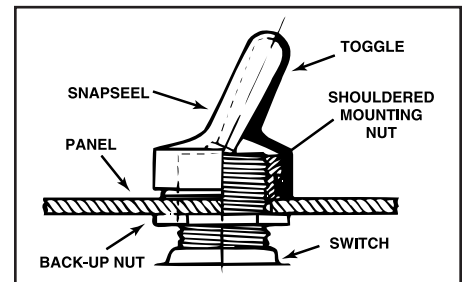
**Part No. 1211/32**  
 Pushbutton Height from panel: Up to 19/64"  
 Pushbutton Diameter: Up to 1/8"  
 Bushing Diameter: 1/4" maximum



## Toggle Switch Boots

**Part No. 1111/4**  
 Bat Handle Height from panel: 7/8"  
 Bat Handle Diameter: Up to 1/4"  
 Bushing Diameter: 15/32" maximum

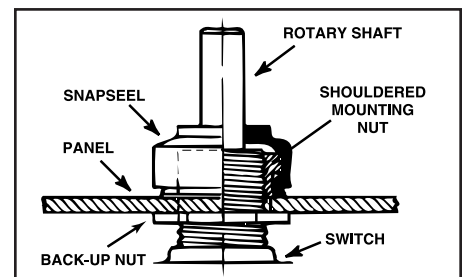
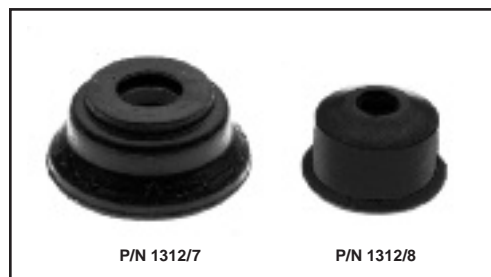
**Part No. 1111/9**  
 Subminiature Toggle Boot  
 Bat Handle Heights from panel: Up to 9/16"  
 Bat Handle Diameter: Up to 1/8"  
 Bushing Diameter: 1/4" maximum



## Rotary Shaft Boots

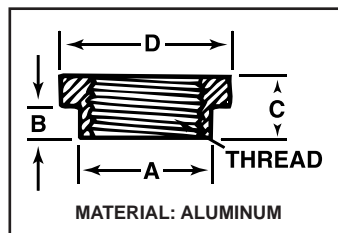
**Part No. 1312/7**  
 Shaft Diameter: 1/4" nominal  
 Bushing Diameter: 3/8" maximum

**Part No. 1312/8**  
 Shaft Diameter: 1/8" nominal  
 Bushing Diameter: 1/4" maximum



## SNAPSEEL™ Shouldered Mounting Nut Selection Chart

TO INSURE PROPER DESIGN FUNCTION, SNAPSEEL MUST BE USED WITH APM SHOULDER TYPE NUT (SEE CHART FOR SIZES). METRIC THREAD AVAILABLE ON REQUEST.



APM Part No. (Shouldered Nut)	Bushing Thread Size*	For use with SNAPSEEL P/N	Dimensions			
			A	B	C	D
2120/122/1	15/32-32	1211/10, 1111/4	17/32"	3/32"	11/64"	5/8"
2120/122/2	3/8-27	1211/5, 1312/7	13/32"	3/32"	11/64"	1/2"
2120/122/3	3/8-32	1211/5, 1312/7	13/32"	3/32"	11/64"	1/2"
2120/122/5	1/4-40	1211/32 1111/9 1312/8	9/32"	3/64"	3/32"	5/16"
2120/122/6	M6 x .75					
2120/122/7	10-48					
2120/122/9	1/4-32					
2120/122/10	12-24					

\*Other thread sizes available. Please consult factory.

**RoHS**  
Compliant

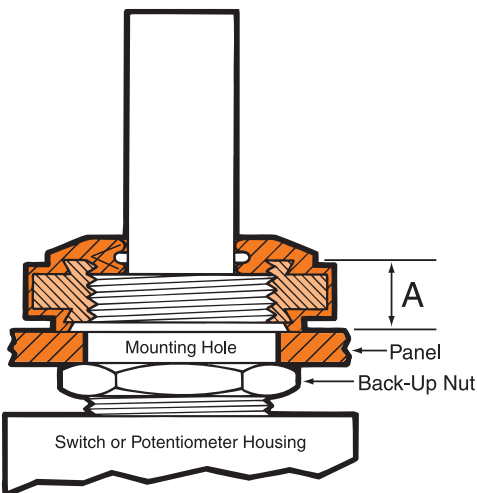
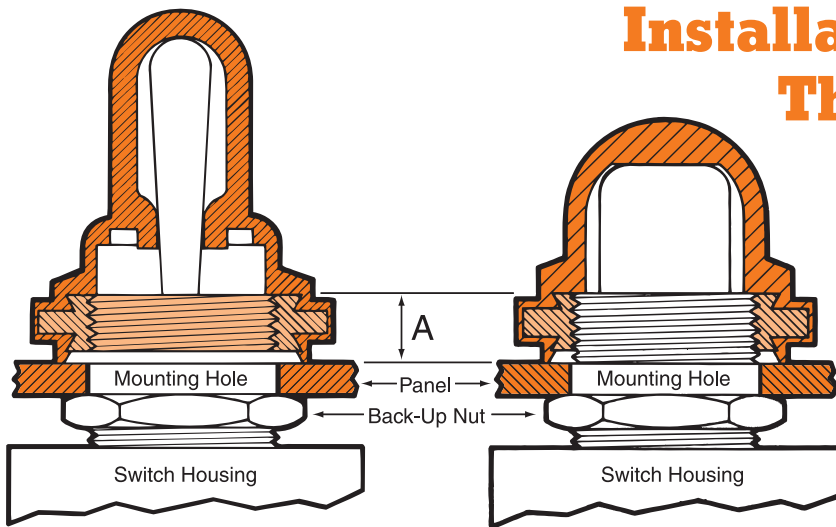
# Installation Instructions for Threaded HEXSEAL® & E-SEEL® Boots

## IMPORTANT — CAUTION

### STEP 3: THREAD RULE DIMENSION A

**3 to 4 threads (maximum)** for all toggle pushbutton and rotary shaft seals (except N5000 series).

**2 to 3 threads (maximum)** for N5000 series.



For proper installation of these boots, follow these five sequential steps. It is **EXTREMELY IMPORTANT** that the number of threads on the switch/potentiometer bushing **EXPOSED ABOVE THE FRONT PANEL SURFACE** be within the recommendation (see chart above). Failure to respect these maximums may result in boot damage (such as tearing).

**STEP 1.** Remove front mounting nut from switch bushing.

**STEP 2.** Put threaded bushing through panel.

**STEP 3.** Adjust back-up nut to allow the specified number of threads to protrude past front of panel (see Dimension "A" above).

**STEP 4.** If needed, install appropriate bushing adaptor.

**STEP 5.** Install switch boot in place of front mounting nut.

#### RECOMMENDED INSTALLATION TOOLS:

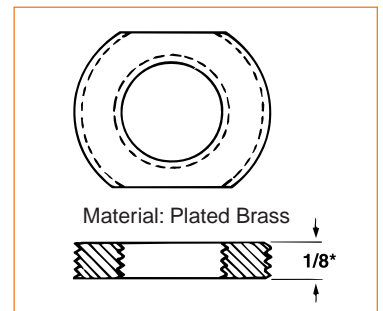
- Six point hex socket wrench.
- Spintite.
- Adjustable wrench (without serrated jaws).

For torque setting, consult factory.

## Threaded Bushing Adaptors

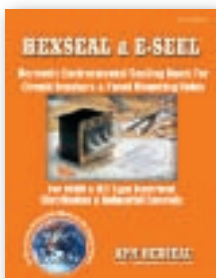
Inside (Bushing) Thread Size (Class 2B)	Outside (Boot) Thread Size (Class 2A)	APM Part Number
3/8-32	15/32-32	2500/1/5*
15/32-32	11/16-32	2500/1/7
1/2-32	11/16-32	2500/1/10
15/32-32	13/16-32	2500/1/8
1/2-24	13/16-32	2500/1/9
5/8-24	13/16-32	2500/1/11
5/8-24	7/8-32	2500/1/12
3/4-32	7/8-32	2500/1/13*
3/4-20	7/8-32	2500/1/14*

\*5/32 thick. Additional sizes, including metric, available. Consult factory.



\*Unless otherwise noted.

**Learn more about our other standard and custom products ...**  
**Ask for these catalogs:**



Circuit Breaker Boots  
Catalog CB



Custom Elastomeric Seals  
Catalog CM



Incandescent Lamp Colorizing Filters  
Catalog SK

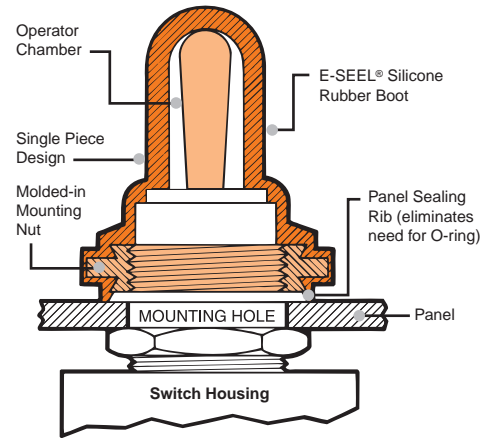


Self-Sealing Fasteners  
Catalog SF

# METRIC Sizes for Toggle, Pushbutton and Rotary Switches and Circuit Breakers

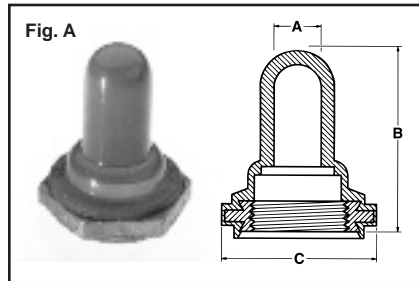
## SPECIFICATIONS

**Material**.....Silicone rubber polymer type ASTM D 1418 or A-A-59588  
**Mounting Nut**.....Brass, black-oxide. \*Brass, nickel-plated.  
**Temperature Range**....-80°F to +400°F (-62°C to +204°C)  
**Enclosure Protection**..NEMA/UL/ULC Types 1, 2, 3, 3S, 3R, 4, 4X, 6P, 12, 13; IEC IP66/IP68  
**Pressure Range**.....Exceeds 15 psi internal and 1500 psi external  
**Operational Life**.....100,000 actuations (minimum)  
**Shelf Life**.....Excess of 25 years  
**Resistant to**.....Salt spray, sunlight, ozone, weather, fungus, and most acids and lubricating oils  
**Agency Recognition**...UL & ULC Recognized Component to UL Std. 50  
**Installation**.....Please see installation instructions on page 19



Additional metric sizes available (consult factory)

## TOGGLE SWITCH BOOTS



IP66/IP68/NEMA 6P Enclosure Protection

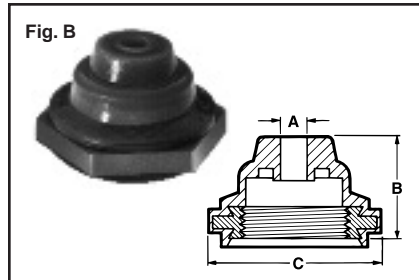
### Full Toggle (with Constant I.D.) Switch Boots (covers all external portions of switch & seals switch mounting hole)

Figure A

Thread Size	Throat Size <sup>1</sup> ("A")		Max Toggle Height <sup>2</sup>		Max Boot Height ("B")		Flat ("C")		Color	APM Cat. No.
	mm	in.	mm	in.	mm	in.	mm	in.		
M6 X 0.75	2.9	0.116	10.8	0.43	14.3	0.562	9.0	0.352	Black	1131/25*
M12 X 0.75	5.3	0.21	16.2	0.64	21.6	0.85	15.8	0.625	Black	C1131/41
M12 X 0.75	5.5	0.219	22.8	0.90	27.7	1.1	15.8	0.625	Black	1131/26-M12-.75
M12 X 1	6.5	0.256	16.7	0.66	21.4	0.844	15.8	0.625	Black	1131/31-M12
M12 X 1	5.9	0.234	16.9	0.66	21.8	0.859	15.8	0.625	Black	1131/40
M12 X 1	5.5	0.219	22.8	0.90	27.7	1.1	15.8	0.625	Black	1131/26-M12-.10

<sup>1</sup> Throat size is the maximum diameter of the switch toggle/handle (Dimension "A").

<sup>2</sup> Max toggle height is the maximum distance from the end of the switch mounting stem to the end of the switch toggle.



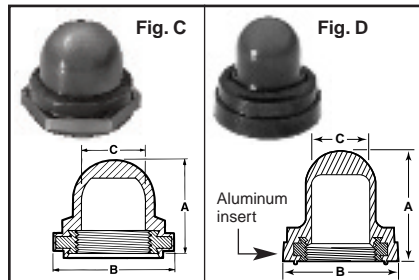
IP66/IP68/NEMA 6P Enclosure Protection

### Half Toggle Switch Boots (Seals switch mounting stem & hole; toggle actuator protrudes)

Figure B

Thread Size	Throat Size ("A")		Toggle Diameter Accomodated		Max Boot Height ("B")		Flat ("C")		Color	APM Cat. No.
	mm	in.	mm	in.	mm	in.	mm	in.		
M5 X 0.5	1.1	0.42	1.57-4.57	0.062-0.18	5.7	0.225/0.25	7.9	0.313	Black	1132/17-M5-5
M12 X 1	2.36	0.093	2.92-6.09	0.115-0.24	11.1	0.437	15.9	0.625	Black	1132/33-M12-1

## PUSHBUTTON SWITCHES & CIRCUIT BREAKERS/PROTECTORS



IP66/IP68/NEMA 6P Enclosure Protection

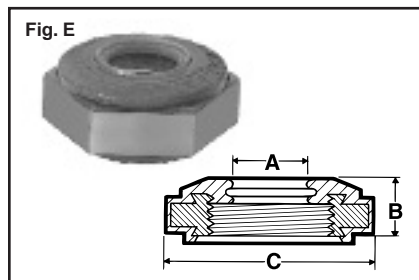
### Pushbutton Boots (Seals switch mounting stem & hole; toggle actuator protrudes)

Figures C & D

Thread Size <sup>1</sup>	Max Boot Height ("A")		Max Plunger Height		Dimension "B"		Max Plunger Diameter ("C")		Color <sup>1</sup>	APM Cat. No.	Fig.
	mm	in.	mm	in.	mm	in.	mm	in.			
M10 X 1	15.47	0.62	8.4	0.33	16.3	0.64	8.1	0.32	Black	C1221/21-M10	D
M11 X 1	15.47	0.62	6.8	2.67	18.3	0.72	8.1	0.32	Clear	C1221/27	D
M12 X 1	18.64	0.733	11.9	0.469	15.9	0.625	10.72	0.422	Black	NC3030H-M12-1	C
M12 X 1	13.89	0.547	7.14	0.281	15.88	0.625	10.72	0.422	Black	N3030 M12x1	C
M12 X .75	13.89	0.547	7.14	0.281	15.88	0.625	10.72	0.422	Black	N3030 M12x.75	C

<sup>1</sup> "Clear" allows viewing of breaker amp rating and trip state; please enquire for other available colors.

## ROTARY SHAFT SEALS



IP66/IP68/NEMA 6P Enclosure Protection

### Seal the shaft and mounting hole of standard rotary switches/potentiometers that use a threaded stem and nut mounting.

Figure E

Thread Size	Shaft Size <sup>1</sup> ("A")		Height ("B")		Flat ("C")		Color <sup>2</sup>	APM Cat. No.
	mm	in.	mm	in.	mm	in.		
M7 X 0.75	5.0	0.2	5.5	0.2	12.7	0.500	Gray	1332/39-2*
M9 X 0.75	6.35	0.250	5.56	0.219	12.7	0.500	Gray	C1332/41*
M10 X 1	6.0	0.236	5.9	0.236	12.7	0.500	Gray	1332/45*

<sup>1</sup> Switch/potentiometer shaft must have a smooth, round cross-section where it meets the sealing edge of the shaft seal device.

<sup>2</sup> Please enquire for other available colors.

# TOGGLE SWITCH SEALING BOOTS WITH INTEGRAL IQ™ MOUNTING NUT

## THE IQ CONCENTRO-NUT™ MOUNTS OVER THE SWITCH'S FRONT PANEL MOUNTING-NUT



- Ideal protection against unforgiving environmental hazards — prolongs switch reliability
- Ideal for speedy retrofitting of booted and non-booted switches
- Ideal for easy original equipment assembling
- Ideal for meeting aesthetic requirements that call for smooth exterior surface around mounting nut
- Ideal color solutions for matching boot color to exact panel color, or for defining specific control function on request. Standard color choices are gray and black.
- Patent No. 7,964,812 ... made in the USA

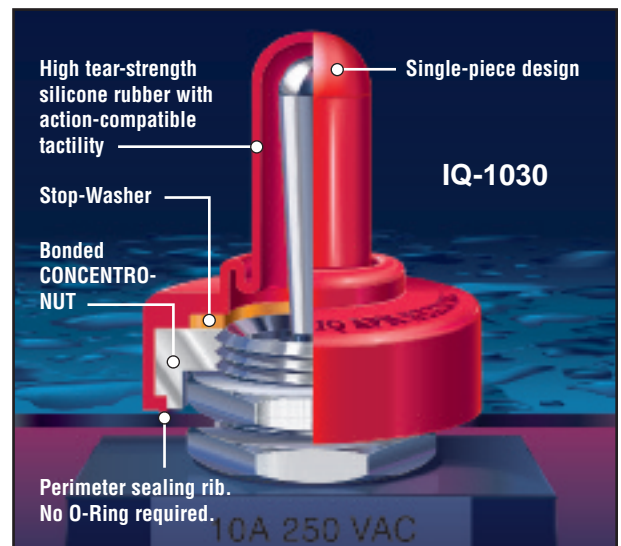


The APM HEXSEAL IQ Switch Sealing Boot is designed for applications where it is preferable to retain the original switch's front-panel mounting nut. This version is made possible by the incorporation of a newly designed bonded concentric mounting nut that features an internal cavity configuration allowing the integral CONCENTRO-NUT to sit on and wrap itself around the existing original switch front panel nut. This enables the two nuts to work in concert when tightened. The IQ Switch Sealing Boot mounting design permits an easy and speedy retrofit, or new OEM installation. The use of the IQ Sealing Boot prevents any switch disturbance; for example, the undesirable rotation of the switch body and possible stress on its connections.

No special tools or O-Rings, washers or adhesives are required. The IQ Switch Sealing Boot design also features a patented flange sealing-rib that fully contacts the front-panel surface, creating a vacuum seal that protects the mounting hole from gas or liquid seepage contamination. In addition to standard black or gray, any color can be specified to match any panel or to define a control function.

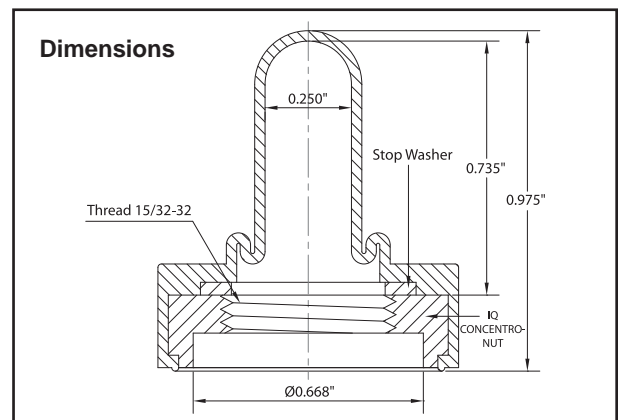


**RoHS**  
Compliant



### SPECIFICATIONS

- Sheath Material:** Silicone rubber conforms to A-A-59588, Class 3B, Grade 60 (unless otherwise specified)
- Mounting Nut (CONCENTRO-NUT) Material:** Aluminum
- Stop Nut Material:** Brass
- Temperature Range:** -94°F to +400°F (-70°C to +204°C)
- Pressure Range:** Exceeds 15 psi internal and 1,500 psi external
- Operational Life:** 50,000 actuations (minimum)
- Shelf Life:** Excess of 25 years
- Enclosure Protection:** IEC 60529 IP 66/68 Rating
- Resistant To:** Salt spray, sunlight, ozone, weather, ice, sand, dirt, fungus, most acids, solvents and lubricating oils
- Agency Recognition:** UL Qualification pending
- Installation:** Mounts over existing toggle switch actuator. Tighten approximately three turns.



### HOW TO ORDER

Specify APM Boot part number. Example: IQ-1030-(add color code letter here) G=Gray, B=Black  
Note: For special colors add PMS or other color specification. Consult factory.



44 Honeck Street • Englewood NJ 07631 • (201) 569-5700 • Sales Toll Free (800) 498-9034 • Fax (201) 569-4106  
Web: [www.apmhexseal.com](http://www.apmhexseal.com) • E-mail: [info@apmhexseal.com](mailto:info@apmhexseal.com)

# Mouser Electronics

Authorized Distributor

Click to View Pricing, Inventory, Delivery & Lifecycle Information:

[APM HEXSEAL:](#)

[N9040 X 1/8](#) [C1131/35 20](#)