



# Edward W. Daniel, LLC

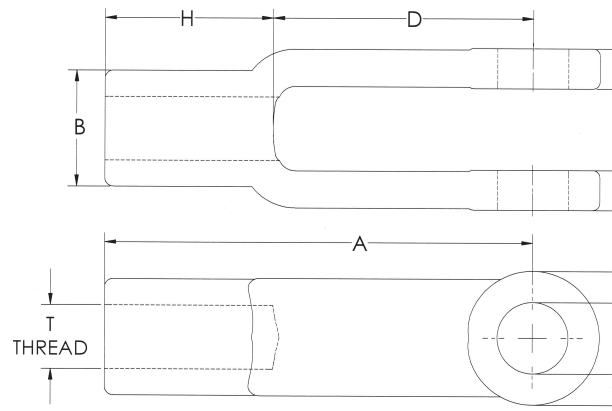
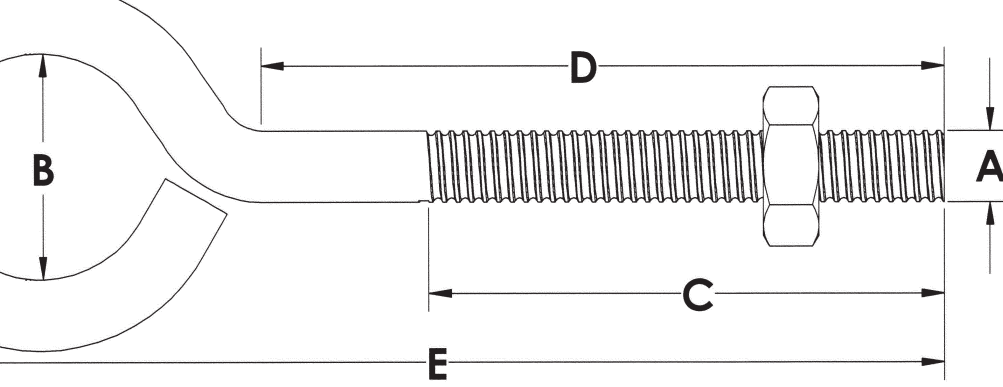
Manufacturers of Diamond "D" Hardware  
*Since 1921*



**Manufacturing**

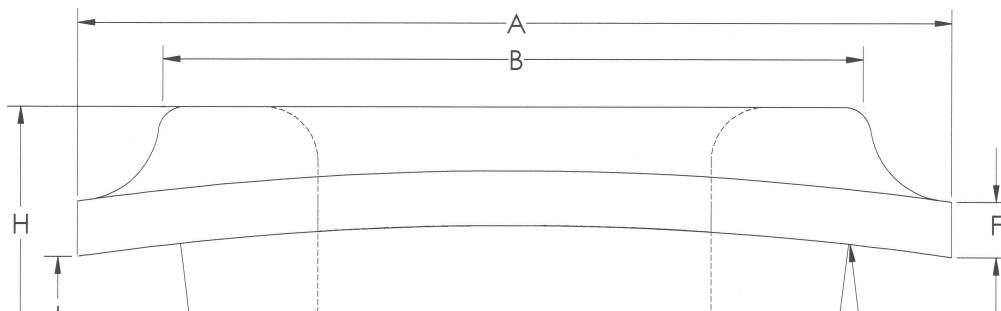
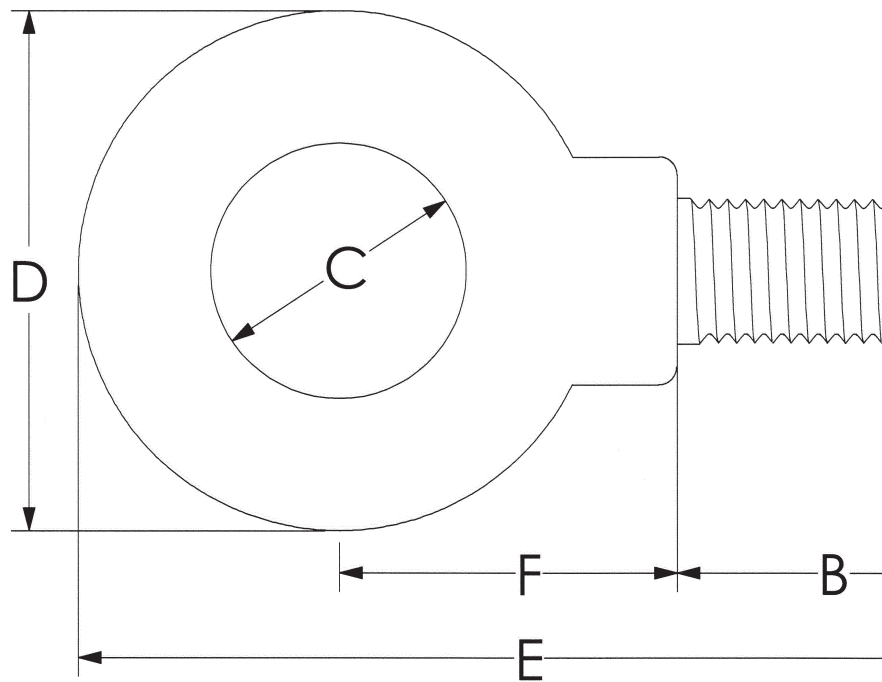
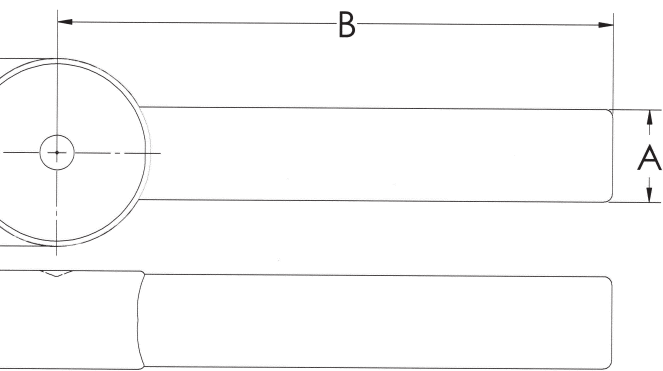
**Warehousing & Distribution**

**Packaging**



# Edward W. Daniel, LLC

Manufacturers of Diamond "D" Hardware  
*Since 1921*





**About EWD**

Capabilities ..... 2  
Industries ..... 2  
History ..... 3  
Industry Affiliations ..... 3

**Anchor Shackles**

Screw Pin Anchor Shackle - Domestic ..... 4  
Screw Pin Anchor Shackle - Import ..... 4  
Round Pin Anchor Shackle ..... 5

**Bent Eyes**

Bent Wire Eyes - Stainless ..... 5  
Bent Wire Eyes - Carbon ..... 6

**Chain & Hook Hardware**

Chain Grab Hook ..... 7  
Chain Slip Hook ..... 7  
Clevis Grab Hook ..... 8  
Clevis Slip Hook ..... 8  
Connecting Link ..... 9  
Double Clevis Link ..... 9  
Chain Repair Link ..... 9  
S Hook ..... 10

**Elevator Rail Clips**

Elevator Rail Clip ..... 10

**Eye Bolts**

General Information ..... 11-12  
Plain Eye Bolt - Carbon ..... 13  
Plain Eye Bolt - Stainless ..... 13  
Plain Eye Bolt - Alloy ..... 14  
Plain Blank Eye Bolt - Stainless ..... 14  
Plain Eye Bolt w/ Nut - Stainless ..... 14  
Plain Eye Bolt w/ Nut - Carbon ..... 15  
Shoulder Eye Bolt - Stainless ..... 16  
Shoulder Eye Bolt - Carbon ..... 16  
Shoulder Eye Bolt - Alloy ..... 17  
Metric Shoulder Eye Bolt - Carbon ..... 17  
Din Eye Bolt - Metric ..... 18  
Shoulder Blank Eye Bolt - Stainless ..... 18  
Shoulder Eye Bolt - Special Sizes ..... 19  
Shoulder Eye Bolt w/ Nut - Stainless ..... 19  
Shoulder Eye Bolt w/ Nut - Carbon ..... 20  
Reduced Eye Bolt - Carbon ..... 21  
Reduced Eye Bolt - Alloy ..... 21  
Screw Eye Bolt ..... 21  
Lag Screw Eye Bolt ..... 21

**Eye Nuts**

Eye Nut - Carbon ..... 22  
Eye Nut - 304 Stainless ..... 22  
Eye Nut - 316 Stainless ..... 22  
High Strength Lifting Eye ..... 23  
Eye Nut - Metric ..... 23

**Flanges**

Standard Heavy Flat Flange ..... 24  
Standard Heavy Curved Flange ..... 24  
Standard Heavy Flat Flange w/ Pilot - Carbon ..... 24  
Standard Heavy Flat Flange w/ Pilot - Stainless ..... 25  
Medium Heavy Flat Flange w/ Pilot ..... 25  
Extra Heavy Flat Flange ..... 25

**Hoist Rings**

Swivel Hoist Ring - Metric ..... 26  
Center Pull Hoist Ring ..... 26

**Pad Eyes**

Pad Eye ..... 27

**Rod Ends**

Rod End Blank - Stainless ..... 27  
Rod End Blank - Carbon ..... 28

**Turnbuckles**

Turnbuckle - Carbon ..... 29  
Turnbuckle - Stainless ..... 30  
Eye & Eye Turnbuckle - Carbon ..... 30  
Eye & Eye Turnbuckle - Stainless ..... 30  
Hook & Eye Turnbuckle ..... 31  
Hook & Hook Turnbuckle ..... 31  
Jaw & Eye Turnbuckle - Carbon ..... 32  
Jaw & Eye Turnbuckle - Stainless ..... 32  
Jaw & Jaw Turnbuckle - Carbon ..... 33  
Jaw & Jaw Turnbuckle - Stainless ..... 33  
Stub & Stub Turnbuckle ..... 34  
Hook End Fitting ..... 35  
Jaw End Fitting ..... 36  
Round Eye Fitting ..... 37  
Stub End Fitting ..... 38

**U-Bolts**

U-Bolt - Carbon ..... 39  
U-Bolt - Stainless ..... 40  
Square U-Bolt ..... 40

**Wire Rope Fittings**

Forged Wire Rope Clip ..... 41  
Malleable Wire Rope Clip ..... 41  
Regular Wire Rope Thimble ..... 42  
Heavy Wire Rope Thimble ..... 42

**Yokes & Pins**

Adjustable Yoke End ..... 42  
Yoke End ..... 43  
Plastick Yoke End ..... 43  
Yoke/Clevis Pin ..... 43

**Miscellaneous**

Bevel Washer ..... 44  
Wedge Shim ..... 44  
Set-Up Wedge ..... 44  
Strap End - Rectangle ..... 44  
Strap End - Triangle ..... 44  
Tee Bolt ..... 44





# Manufacturers of Diamond “D” Hardware Since 1921

Over 95 years of experience and expertise in Manufacturing, Packaging and Distributing Industrial Fasteners



## Manufacturing

**Edward W. Daniel, LLC** has a wide range of **Domestic & Import Fasteners** with manufacturing capabilities that allow us to produce **Standard & Custom** components. Products are available in various materials with finish operations that include Heat Treat, Galvanizing, Plating or Polishing.



## Packaging

**Edward W. Daniel, LLC** understands that some products require special packaging used for resale, protection or storage. Our packaging capabilities also include any special labeling that may be required.



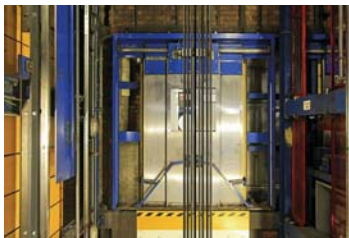
## Warehousing & Distribution

**Edward W. Daniel, LLC** maintains a large Distribution Center with over 2,500 different products and the list continues to grow! Our capability to house both **Standard & Custom Fasteners** allows our customers to receive products on an as needed basis which reduces their internal inventory holding costs.



## Industries We Serve

At **Edward W. Daniel, LLC** we manufacture, acquire and stock products used for demanding applications across a broad range of industries. We understand that while some projects may use standard components, there may be a need for custom parts as well. With our extensive manufacturing capabilities, **Edward W. Daniel, LLC** has the resources to fulfill all your needs.



Elevator



Equipment Manufacturing



Pressure Vessel



Rigging & More

### Partial List of Markets Served

- |                         |                           |   |                           |
|-------------------------|---------------------------|---|---------------------------|
| • Aircraft              | • Equipment Manufacturers | • Marine                                | • Rigging                 |
| • Automotive            | • Farm Supply             | • Metals: Steel, Aluminum, Copper, etc. | • Steel Fabricating       |
| • Cabinet Manufacturers | • Fence                   | • Mining                                | • Sign Erectors & Hangers |
| • Chemical              | • Machine Shops           | • Pressure Vessels                      | • Towers                  |
| • Construction          | • Machine Tools           | • Petroleum                             | • Utilities               |
| • Electricmotors        | • Manufacturing           | • Power Transmission                    |                           |
| • Elevator              | • Maintenance Departments |   |                           |



# History

Back in 1922, proprietor Edward W. Daniel, had a vision to create a company that could manufacture and stock hardware widely used by the marine industry.

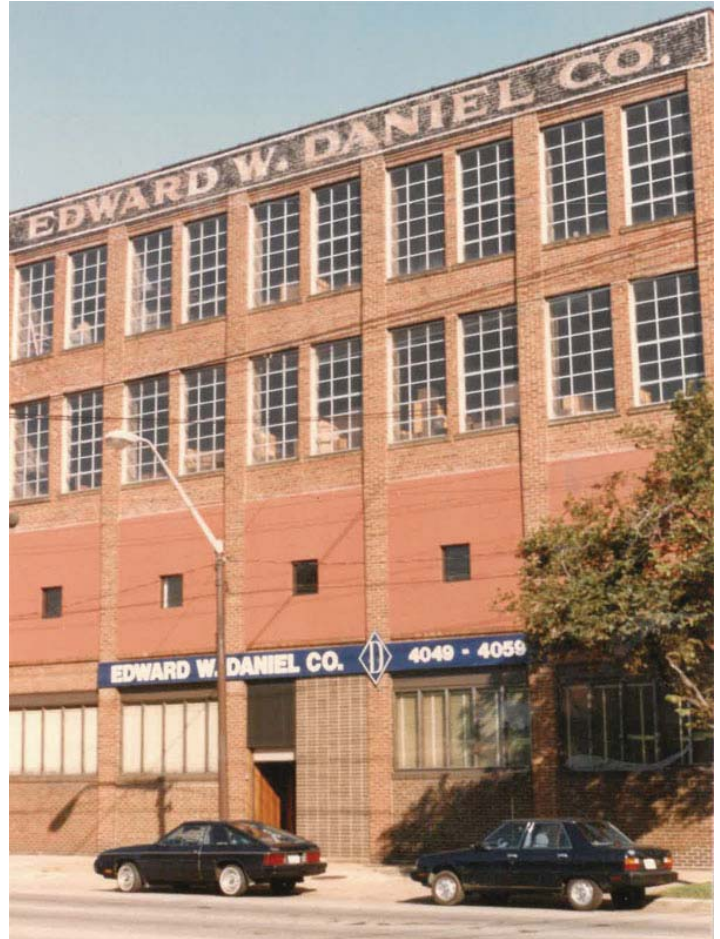
As his vision for the company began to flourish, Daniel decided to settle in Cleveland, OH and open a manufacturing and distribution center to focus on the Great Lakes Marine Industry.

By the 1930's, the **Edward W. Daniel Company** established themselves as a key supplier not only to the marine market but other industries as well. During this time, the company developed patents for elevator rail clips, fiberglass reinforced yokes and hand held safety hooks.

In 1979, the company expanded operations to Chattanooga, Tennessee where a forging plant was established to support the finish machining operations at the Cleveland, Ohio facility. It was there in Chattanooga that the **"Diamond D"** trademark product brand was created.

As **Edward W. Daniel, LLC** continued to support various market segments, the request to explore an import product line was presented. It was then that **Edward W. Daniel, LLC** made a decision to focus its manufacturing efforts at the Cleveland facility and began to acquire hardware forgings from both domestic and import suppliers.

Today, over 95 years later, **Edward W. Daniel, LLC** is proud to continue the **"Diamond D"** legacy that represents the Quality and Commitment to our customers. Currently, we provide over 2,500 different domestic and import products and the variety continues to grow. As we prepare to reach our Centennial year, **Edward W. Daniel, LLC** is honored to have partnered with so many different industries. We look forward to a future with innovative manufacturing processes and warehouse programs that will continue to support our partners.



E.W. Daniel Building on Harvard Ave. (1970s)  
(Cleveland, Ohio)

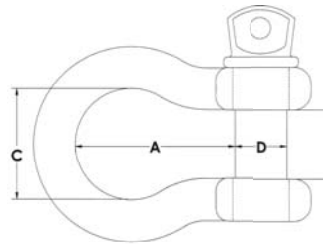


## Industry Affiliations

**Edward W. Daniel, LLC** is proud to be a part of these Industry Trade Associations. We value and appreciate their endless time and effort to inform, create and set Quality Standards for those Manufacturers that develop and distribute Fastener products.



**Screw Pin Anchor Shackle - Domestic**  
Forged Carbon Steel

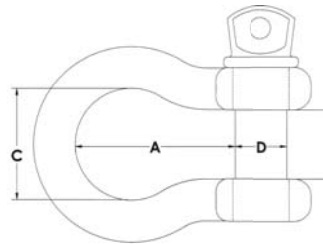


Specifications	
• Process:	Forged
• Material:	Carbon Steel
• Finish:	Galvanized
• Origin:	Domestic
• Specifications:	Meets Federal Specification RR-C-271D, Type IVA Class 2, Grade A

Hot Galvanized Part Number	Nominal Shackle Size					Weight Lbs.	Rated Capacity
		A	B	C	D		
		Inside Length	At Pin	At Bow	Pin Diameter		
19405	1/4	1 1/8	15/32	3/4	5/16	0.120	1,000
19410	5/16	1 1/4	17/32	13/16	3/8	0.200	1,500
19415	3/8	1 7/16	21/32	15/16	7/16	0.300	2,000
19420	7/16	1 11/16	3/4	1 5/32	1/2	0.455	3,000
19425	1/2	1 7/8	13/16	1 5/16	5/8	0.750	4,000
19430	5/8	2 3/8	1 1/16	1 1/2	3/4	1.500	6,500
19435	3/4	2 13/16	1 1/4	1 3/4	7/8	2.300	9,500
19440	7/8	3 5/16	1 7/16	2	1	3.500	13,000
19445	1	3 3/4	1 11/16	2 5/16	1 1/8	5.000	17,000



**Screw Pin Anchor Shackle - Import**  
Forged Carbon Steel



Specifications	
• Process:	Forged
• Material:	Carbon Steel
• Finish:	Self-Colored, Galvanized
• Origin:	Import
• Specifications:	Meets Federal Specification RR-C-272D, Type IVA Class 2, Grade A

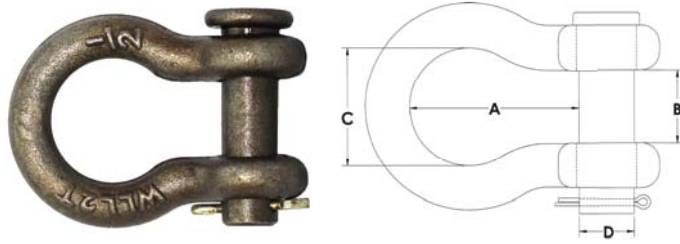
Self-Colored Part Number	Hot Galvanized Part Number	Nominal Shackle Size					Weight Lbs.	Rated Capacity
			A	B	C	D		
			Inside Length	At Pin	At Bow	Pin Diameter		
—	19100	3/16	7/8	3/8	9/16	1/4	0.056	667
19005	19105	1/4	1 1/8	1/2	3/4	5/16	0.112	1,000
19010	19110	5/16	1 1/4	33/64	27/32	3/8	0.162	1,500
19015	19115	3/8	1 7/16	21/32	1 1/32	7/16	0.310	2,000
19020	19120	7/16	1 11/16	11/16	1 5/32	1/2	0.428	3,000
19025	19125	1/2	1 7/8	13/16	1 5/16	5/8	0.660	4,000
19030	19130	5/8	2 3/8	1 1/32	1 21/32	3/4	1.234	6,500
19035	19135	3/4	2 3/4	1 1/4	1 29/32	7/8	2.300	9,500
—	19140	7/8	3 11/32	1 7/16	2 1/4	1	3.450	13,000
19045	19145	1	3 3/4	1 11/16	2 11/16	1 1/8	4.816	17,000
—	19150	1 1/8	4 1/4	1 13/16	2 29/32	1 1/4	7.090	19,000
19055	19155	1 1/4	4 25/32	1 15/16	3 3/16	1 3/8	9.090	24,000
19065	19165	1 1/2	4 11/16	2 3/8	3 13/16	1 5/8	17.246	34,000





# Round Pin Anchor Shackle

Forged Carbon Steel



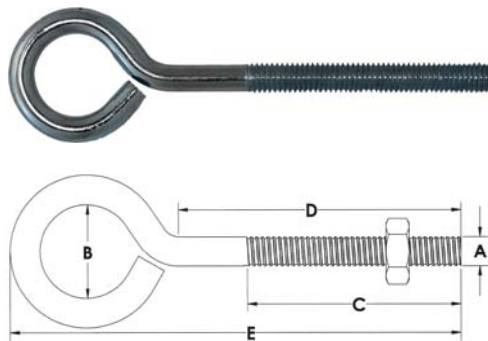
Specifications
• Process: Forged
• Material: Carbon Steel
• Finish: Self-Colored, Galvanized
• Origin: Import

Self-Colored Part Number	Hot Galvanized Part Number	Nominal Shackle Size	A Inside Length	B At Pin	C At Bow	D Pin Diameter	Weight Lbs.	Rated Capacity
19205	19305	1/4	1 1/8	1/2	3/4	5/16	0.106	1,000
19210	19310	5/16	1 7/32	1/2	13/16	3/8	0.188	1,500
19215	19315	3/8	1 7/16	21/32	1	7/16	0.286	2,000
19225	19325	1/2	1 27/32	27/32	1 5/16	5/8	0.624	4,000
19230	19330	5/8	2 7/16	1	1 21/32	3/4	1.320	6,500
19235	19335	3/4	2 7/8	1 1/4	2	7/8	2.294	9,500



# Bent Wire Eye - Stainless

304 Stainless Steel



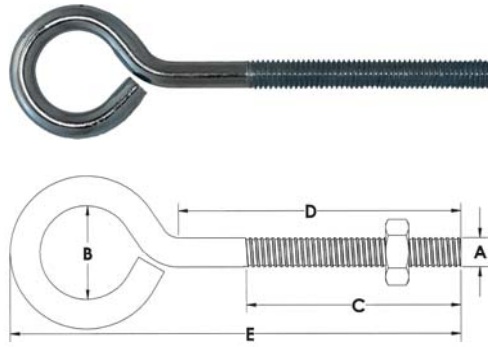
Specifications
• Process: Formed
• Material: 304 Stainless Steel
• Finish: Polished
• Threads: UNC-2A
• Origin: Domestic
• Specifications: Furnished with Hex Nuts (not assembled).
<b>Not recommended for lifting.</b>

Part Number	A Thread Size UNC-2A	B ID Eye	C Thread Length	D Shank Length	E Overall Length	Weight Lbs.
SS21400	1/4-20	9/16	7/8	1	2	0.034
SS21420	1/4-20	3/8	1 1/2	1 13/16	2 5/8	0.038
SS21440	1/4-20	9/16	1 1/2	2 1/2	3 1/2	0.052
SS21450	1/4-20	9/16	1 1/2	3	4	0.056
SS21500	5/16-18	1/2	2	2 3/16	3 1/4	0.078
SS21520	5/16-18	3/4	2	2 5/8	4	0.096
SS21610	3/8-16	1	2 1/8	2 1/4	4	0.154
SS21630	3/8-16	1	2 1/2	4 1/4	6	0.200



# Bent Wire Eye - Carbon

Carbon Steel



Specifications
• Process: Formed
• Material: Carbon Steel
• Finish: Zinc Plated
• Threads: UNC-2A
• Origin: Domestic
• Specifications: Furnished with Hex Nuts (not assembled).
<i>Not recommended for lifting.</i>

	A	B	C	D	E	
Part Number	Thread Size UNC-2A	ID Eye	Thread Length	Shank Length	Overall Length	Weight Lbs.
21368	6-32	1/4	15/16	1	1 1/2	0.006
21370	8-32	1/4	1	1 1/16	1 5/8	0.006
21371	8-32	3/8	1	1 1/16	1 3/4	0.012
21380	10-24	5/16	1 1/8	1 1/4	1 15/16	0.016
21381	10-24	3/8	7/8	1	1 11/16	0.018
21382	10-24	3/8	1	2	2 11/16	0.020
21383	10-24	3/8	1 1/2	3	3 11/16	0.024
21384	10-32	11/32	9/32	3/16	1 1/16	0.010
21400	1/4-20	9/16	7/8	1	2	0.034
21410	1/4-20	9/16	1 3/8	1 1/2	2 1/2	0.042
21420	1/4-20	3/8	1 3/4	1 13/16	2 5/8	0.040
21430	1/4-20	9/16	1 1/2	2	3	0.042
21440	1/4-20	9/16	1 1/2	2 1/2	3 1/2	0.044
21450	1/4-20	9/16	1 1/2	3	4	0.056
21460	1/4-20	9/16	3	4	5	0.068
21500	5/16-18	1/2	2	2 1/8	3 1/4	0.074
21510	5/16-18	3/4	1 3/4	2	3 1/4	0.082
21520	5/16-18	3/4	2	2 5/8	4	0.090
21523	5/16-18	3/4	1 1/2	2 3/4	4 1/8	0.090
21540	5/16-18	3/4	2 1/2	4 5/8	6	0.128
21600	3/8-16	5/8	2 3/8	2 1/2	3 7/8	0.132
21610	3/8-16	1	2 1/8	2 1/4	4	0.154
21620	3/8-16	1	2 1/2	3 1/4	5	0.176
21630	3/8-16	1	2 1/2	4 1/4	6	0.204
21640	3/8-16	1	2 1/2	6 1/4	8	0.254
21710	7/16-14	1	2 1/2	6	8	0.344
21740	1/2-13	1	2 3/4	3	5	0.332
21750	1/2-13	1	3	4	6	0.372
21760	1/2-13	1	3	5	7	0.422
21770	1/2-13	1	3	6	8	0.464
21780	1/2-13	1	3	8	10	0.556
21800	5/8-11	1 1/4	3	3 1/2	6	0.644





## Chain Grab Hook

Forged Carbon Steel



Specifications	
• Process:	Forged
• Material:	Carbon Steel (Quenched & Tempered)
• Finish:	Self-Colored, Heat Treat (part is red in color)
• Origin:	Import
• Specifications:	Ultimate load is 4 times the working load limit

Self-Colored Part Number	Size of Chain	A	B	C	D	L	Weight Lbs.	Rated Capacity
19905	1/4	1.09	0.53	1.81	0.34	3.05	0.28	2,600
19910	5/16	1.31	0.62	2.12	0.44	3.59	0.45	3,900
19915	3/8	1.56	0.75	2.53	0.50	4.28	0.79	5,400
19925	1/2	1.94	0.88	3.56	0.66	5.44	1.75	9,200
19935	3/4	2.88	1.38	5.22	0.94	8.06	5.94	20,200
Heat Treated / Red Part Number	Size of Chain	A	B	C	D	L	Weight Lbs.	Rated Capacity
20005	1/4	1.09	0.53	1.81	0.34	3.05	0.28	2,600
20010	5/16	1.31	0.62	2.12	0.44	3.59	0.45	3,900
20015	3/8	1.56	0.75	2.53	0.50	4.28	0.79	5,400
20025	1/2	1.94	0.88	3.56	0.66	5.44	1.75	9,200
20030	3/4	2.88	1.38	5.22	0.94	8.06	5.94	20,200



## Chain Slip Hook

Forged Carbon Steel



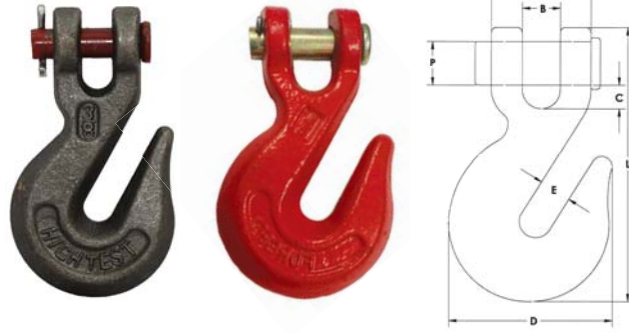
Specifications	
• Process:	Forged
• Material:	Carbon Steel (Quench & Tempered)
• Finish:	Self-Colored, Heat Treat (part is red in color)
• Origin:	Import
• Specifications:	Ultimate load is 4 times the working load limit

Self-Colored Part Number	Size of Chain	A	B	C	D	E	F	L	Weight Lbs.	Rated Capacity
19705	1/4	1.06	0.50	0.81	2.75	0.94	1.19	3.66	0.4	1,950
19710	5/16	1.25	0.63	0.94	3.06	1.06	1.25	4.23	0.64	2,875
19715	3/8	1.53	0.72	1.13	3.63	1.31	1.50	4.89	1.1	4,000
19725	1/2	1.94	0.94	1.56	4.81	1.69	1.94	6.34	2.09	6,500
Heat Treated / Red Part Number	Size of Chain	A	B	C	D	E	F	L	Weight Lbs.	Rated Capacity
19805	1/4	1.06	0.50	0.81	2.75	0.94	1.19	3.66	0.4	1,950
19810	5/16	1.25	0.63	0.94	3.06	1.06	1.25	4.23	0.64	2,875
19815	3/8	1.53	0.72	1.13	3.63	1.31	1.50	4.89	1.1	4,000



## Clevis Grab Hook

Forged Carbon Steel



Specifications	
• Process:	Forged
• Material:	Carbon Steel (Quench & Tempered)
• Finish:	Self-Colored, Heat Treat (part is red in color)
• Origin:	Import
• Specifications:	Ultimate load is 4 times the working load limit

Self-Colored Part Number	Size of Chain	A	B	C	D	E	L	P	Weight Lbs.	Rated Capacity
20305	1/4	1.00	0.32	0.31	1.81	0.34	3.05	0.31	0.36	2,600
20310	5/16	1.22	0.43	0.36	2.12	0.44	3.66	0.38	0.62	3,900
20315	3/8	1.42	0.48	0.49	2.53	0.50	4.42	0.44	1.00	5,400
20320	7/16	1.66	0.66	0.62	3.09	0.56	4.94	0.56	1.31	7,200
20325	1/2	1.88	0.57	0.51	3.56	0.66	5.72	0.63	2.22	9,200

Heat Treated / Red Part Number	Size of Chain	A	B	C	D	E	L	P	Weight Lbs.	Rated Capacity
20405	1/4	1.00	0.32	0.31	1.81	0.34	3.05	0.31	0.36	2,600
20410	5/16	1.22	0.43	0.36	2.12	0.44	3.66	0.38	0.62	3,900
20415	3/8	1.42	0.48	0.49	2.53	0.50	4.42	0.44	1.00	5,400
20425	1/2	1.88	0.57	0.51	3.56	0.66	5.72	0.63	2.22	9,200



## Clevis Slip Hook

Forged Carbon Steel



Specifications	
• Process:	Forged
• Material:	Carbon Steel (Quench & Tempered)
• Finish:	Self-Colored, Heat Treat (part is red in color)
• Origin:	Import
• Specifications:	Ultimate load is 4 times the working load limit

Self-Colored Part Number	Size of Chain	A	B	C	D	E	F	G	L	P	Weight Lbs.	Rated Capacity
20105	1/4	1.06	0.32	0.29	2.75	0.94	1.19	0.81	3.95	0.31	0.55	1,950
20110	5/16	1.22	0.43	0.34	3.06	1.06	1.25	0.94	4.52	0.38	0.79	2,875
20115	3/8	1.38	0.45	0.44	3.63	1.31	1.50	1.13	5.15	0.44	1.21	4,000
20125	1/2	1.88	0.57	0.53	4.81	1.69	1.94	1.56	6.53	0.63	2.75	6,500

Heat Treated / Red Part Number	Size of Chain	A	B	C	D	E	F	G	L	P	Weight Lbs.	Rated Capacity
20205	1/4	1.06	0.32	0.29	2.75	0.94	1.19	0.81	3.95	0.31	0.55	1,950
20210	5/16	1.22	0.43	0.34	3.06	1.06	1.25	0.94	4.52	0.38	0.79	2,875
20215	3/8	1.38	0.45	0.44	3.63	1.31	1.50	1.13	5.15	0.44	1.21	4,000
20225	1/2	1.88	0.57	0.53	4.81	1.69	1.94	1.56	6.53	0.63	2.75	6,500



## Connecting Link

Forged Carbon Steel



### Specifications

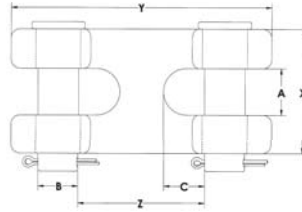
- Process: Forged
- Material: Carbon Steel (Quench & Tempered)
- Finish: Zinc-Plated
- Origin: Import

Part Number	Size	W	L	Approx. Weight Lbs.	Min. Rated Capacity
18800	3/16	9/32	17/32	0.03	650
18805	1/4	7/16	13/16	0.06	1,400
18810	5/16	15/32	29/32	0.10	2,100
18815	3/8	9/16	1 3/32	0.18	2,800
18825	1/2	23/32	1 15/32	0.39	4,150
18830	5/8	13/16	1 3/4	0.75	6,250
18835	3/4	1 7/64	2	1.20	9,000



## Double Clevis Link

Forged Carbon Steel



### Specifications

- Process: Forged
- Material: Body - Carbon, Pins - Alloy
- Finish: Electro-Zinc Plated
- Origin: Import
- Specifications: Designed for linking all popular sizes of chain to rings, end links, eye hooks, pad eyes, tractor eyebolts.
- Pin can be removed with pliers or screwdriver.

Part Number	Chain Size, High Test, Grade 43	Chain Size, Transport, Grade 70	Weight Lbs.	Ultimate Strength Lbs.
20700	1/4 or 5/16	1/4	0.33	13,000
20701	3/8	5/16	0.49	18,800
20705	7/16 or 1/2	3/8	1.05	28,000
18835	3/4	1 7/64	2	1.20

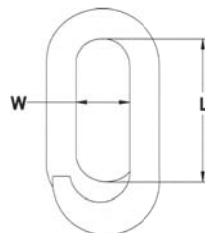
  

Chain Size	A	B	C	X	Y	Z
1/4 or 5/16	13/32	3/8	7/16	1 1/8	2 5/8	1 5/16
3/8	1/2	7/16	1/2	1 5/16	3	1 17/32
7/16 or 1/2	21/32	9/16	5/8	1 23/32	3 21/32	2



## Chain Repair Link

Formed Carbon Steel



### Specifications

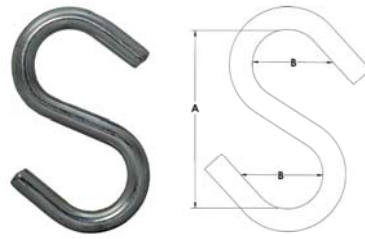
Formed Carbon Steel

Part Number	Wire Diameter	Inside Length	Inside Width	Weight Lbs.
40700	3/16	1	1/2	0.03
40705	1/4	1 1/4	1/2	0.07
40710	5/16	1 1/2	3/4	0.13
40715	3/8	2	3/4	0.26
40720	1/2	2 1/2	1	0.55



## S Hook

Zinc Plated



Specifications	
• Process:	Formed
• Material:	Carbon Steel
• Finish:	Zinc Plated
• Origin:	Domestic

Part Number	Size	Wire Diameter	A	B	Weight Lbs.
			Inside Length	ID Eye	
41705	5/32	0.125	1	3/8	0.01
41710	3/16	0.192	1 3/8	31/64	0.03
41715	1/4	0.250	1 13/16	5/8	0.07
41720	5/16	0.313	1 7/8	11/16	0.11
41725	3/8	0.330	2 9/16	7/8	0.20



## Elevator Rail Clips

Forged Carbon or Stainless Steel



*Edward W. Daniel, LLC* is proud to partner with those companies that provide **Elevator Transportation** for small two-story commercial buildings to some of the largest skyscrapers in the world.

For over 50 years *Edward W. Daniel, LLC* has been a service parts components supplier for major Elevator manufacturers. *Edward W. Daniel, LLC* distributes parts, such as **Forged Elevator Rail Clips**, to elevator service and repair centers around the world. Their group of highly skilled technicians and world-wide maintenance networks, select *Edward W. Daniel, LLC* as their supplier for quality components for their installations.

The Elevator industry safely and efficiently moves over 1 billion people per day from place to place. *Edward W. Daniel, LLC* is honored to be a part of this important market and we continue to adapt our process to meet the needs of this industry.

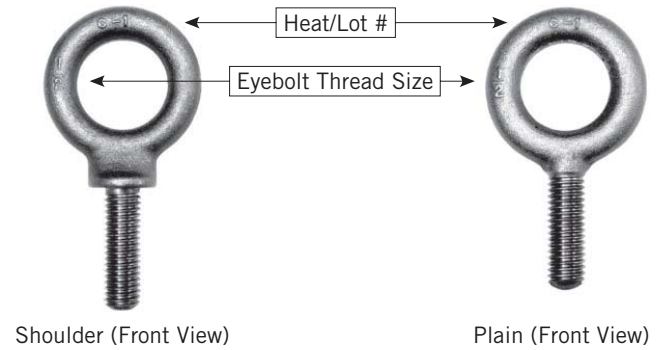


# Eye Bolt General Information

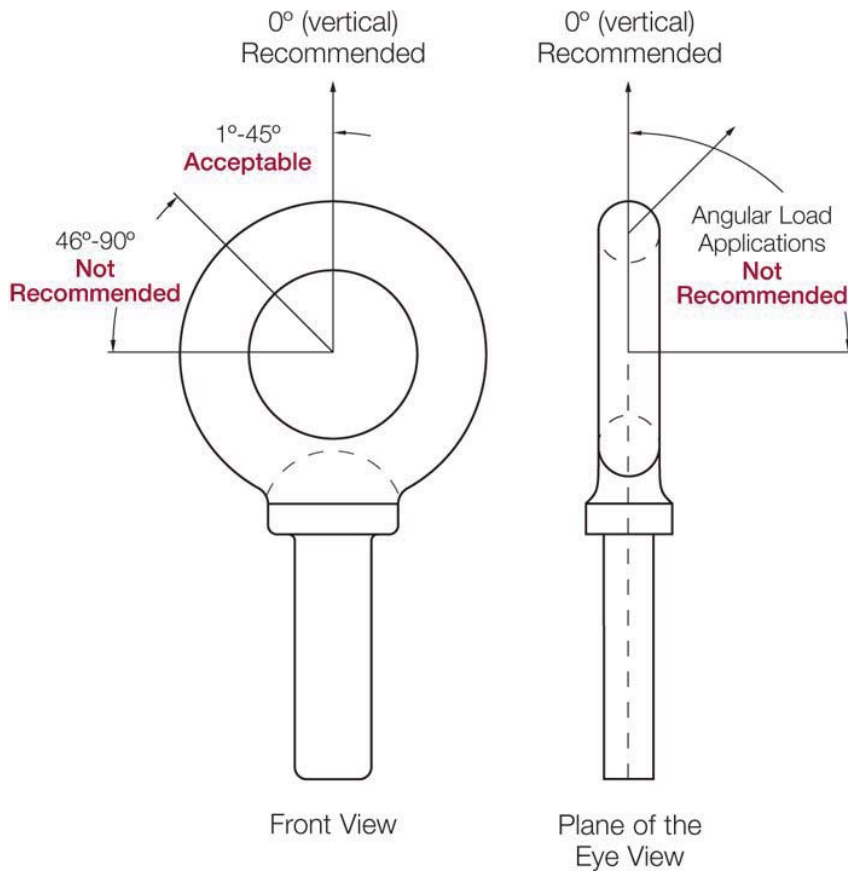
## Specifications

Material Data	
Heat Treat	Quench and Draw
Grain Size	5 or finer
Tensile	65,000 PSI MIN – 90,000 PSI MAX
Yield	30,000 PSI MIN
Elongation	30% MIN
Reduction of Area	60% MIN
Rated Capacity	See below

## Traceability Markings



## Shoulder Eyebolt Rated Capacities



Size	0° Lbs.	45° Lbs.
1/4	500	125
5/16	900	225
3/8	1,300	325
7/16	1,800	450
1/2	2,400	600
9/16	3,000	800
5/8	4,000	1,000
3/4	5,000	1,250
7/8	7,000	1,750
1	9,000	2,250
1 1/8	12,000	3,000
1 1/4	15,000	3,750
1 1/2	21,000	5,250
1 3/4	28,000	7,000
2	38,000	9,500
2 1/2	56,000	14,000

## Eyebolt Rated Capacity Guidelines

- The minimum threaded shank length of Eyebolts must be one thread diameter to attain the rated capacity.
- No greater load should be applied to an Eyebolt than the Rated Capacity listed.
- **Angular lifts significantly reduce Shoulder Eyebolt Rated Capacities.** Shoulder Eyebolts should not be used for angular lifts greater than 45°.
- **Plain Eyebolts are not recommended for angular load applications.**

## Application / Installation

- The receiving hole should be counter-sunk and be free and clear of any debris to assure proper seating.
- LOADS SHOULD ALWAYS BE ALIGNED TO THE PLANE OF THE EYE, not at an angle to the plane. A steel washer or spacer may be used in conjunction with Shoulder Eyebolts to attain proper load alignment. The thickness of the steel washer or spacer must not exceed one thread pitch.
- Angular lifting should be avoided. **Angular lifts significantly reduce rated capacities.** See Eyebolt Rated Capacities/Guidelines (page 5).
- Check seating after applying an angular lift since the initial lift may cause the bolt to back away from the load. If such occurs, the Eyebolt should be unloaded & properly resealed.
- For applications with untapped through-holes, longer length Shoulder Eyebolts are recommended, using a steel washer and nut for the required thread length of engagement.
- Shoulder Eyebolt tapped holes are to have a threaded length which allows for full length of shank engagement and clearance for the unthreaded portion of shank.
- Shoulder Eyebolts must be firmly seated and flush against the mating surface; otherwise, the rated capacity is reduced significantly. The use of a steel washer or spacer is permissible and may be required; however, the thickness must not exceed one thread pitch.
- Plain Eyebolt tapped holes are to be threaded for full length engagement of the Eyebolt.
- Plain Eyebolts must have full thread shank engagement, allowing for one-half turn for proper eye-alignment to obtain rated capacities.



## Inspection / Maintenance Safety

- Eyebolts should be inspected and installed by a competent person who is knowledgeable about the application and installation of Eyebolts.
- Each Eyebolt must be completely inspected BEFORE each use for possible defects such as: distortion, bent shank/ threads, or incomplete/incorrectly formed threads. Periodic inspection of Eyebolts is highly recommended.
- Eyebolts should not be painted or otherwise coated when used for lifting; such coatings make it difficult to inspect for defects or wear indicators.
- Eyebolts should not be left where they can incur mechanical damage or corrosion.
- **Destroy Eyebolts when signs of bend, elongation, wear or damage are visible.** Such signs indicate that the Eyebolt has been stressed (overloaded) beyond rated capacity. Never attempt to repair a stressed Eyebolt.
- **Destroy Eyebolts when they show any signs of alteration.** Signs include: gouging, undercutting, welding, etc.
- **Proper Destruction of an Eyebolt:** crushing or cutting clear across the eye of the Eyebolt.

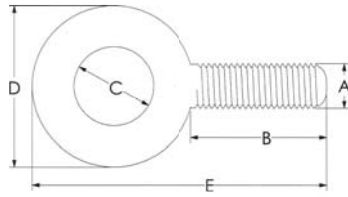


## Safety Precautions

- **DO NOT** work, stand or crawl around the load of the Eyebolt. Ensure a safe distance from the load.
- **DO NOT** use wrenches, crowbars, etc. to tighten Eyebolts. Hand tightening is recommended.
- **DO NOT** use a single Eyebolt to lift a load that can rotate.
- **DO NOT** force hooks or any other fittings into the eye; they must fit freely.
- **DO NOT** exceed the Rated Capacity.
- **DO NOT SHOCK LOAD EYEBOLTS.** Gradually increase lifting of the load to minimize load-shock.
- **DO NOT** weld Eyebolts, or perform any weld-repair on Eyebolts.
- **DO NOT** machine Eyebolts on the shank or shoulder to achieve proper seating.
- **DO NOT** expose Eyebolts to extreme environmental conditions, as they may adversely affect the Rated Capacity.

# Plain Eye Bolt - Carbon

Forged Carbon Steel



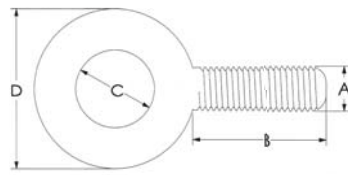
Specifications
• Process: Forged
• Material: Carbon Steel
• Finish: Self-Colored, Galvanized, Zinc Plated (Additional Finishes Available)
• Threads: Full Thread - UNC/UNF 2A, Metric
• Origin: Domestic
• Specifications: ASTM-A-489, ANSI B18.15

Part Number	Zinc Plated Part Number*	A		B		C		D		E	
		Thread Size	Shank Length	ID Eye	OD Eye	Overall Length	Weight	Rated Capacity Lbs.			
13611	ZP13611	1/4-20	1	3/4	1 3/16	2 7/32	0.060	500			
13621	ZP13621	5/16-18	1 1/8	7/8	1 7/16	2 19/32	0.100	900			
13631	ZP13631	3/8-16	1 1/4	1	1 21/32	3	0.150	1,300			
13638	ZP13638	7/16-14	1 3/8	1 3/32	1 27/32	3 1/4	0.220	1,800			
13641	ZP13641	1/2-13	1 1/2	1 3/16	2 1/16	3 21/32	0.360	2,400			
13650	ZP13650	9/16-12	1 5/8	1 9/32	2 9/32	4	0.420	3,000			
13661	ZP13661	5/8-11	1 3/4	1 3/8	2 1/2	4 3/8	0.580	4,000			
13672	ZP13672	3/4-10	2 1/99	1 1/2	2 13/16	4 7/8	0.920	5,000			
13682	ZP13682	7/8-9	2 1/4	1 11/16	3 1/4	5 1/2	1.476	7,000			
13702	ZP13702	1-8	2 1/2	1 13/16	3 9/16	6 1/8	2.000	9,000			
13712	ZP13712	1-1/8-7	2 3/4	2	4	6 3/4	3.030	12,000			
13723	ZP13723	1-1/4-7	3 1/99	2 3/16	4 7/16	7 1/2	3.980	15,000			
13753	ZP13753	1-1/2-6	3 1/2	2 1/2	5 3/16	8 3/4	6.506	21,000			
13770	ZP13770	1-3/4-5	3 3/4	2 7/8	6 1/16	9 13/16	11.000	28,000			
13780	ZP13780	2-4 1/2	4	3 1/4	6 7/8	11	16.250	38,000			
13790	ZP13790	2-1/2-4	5	4	8 9/16	13 5/8	28.000	56,000			



# Plain Eye Bolt - Stainless

Forged Stainless Steel



Specifications
• Process: Forged
• Material: 304 Stainless Steel
• Finish: Passivated & Electro-Polished
• Threads: Full Thread - UNC/UNF 2A, Metric
• Origin: Domestic
• Specifications: ASTM-A-193-B8

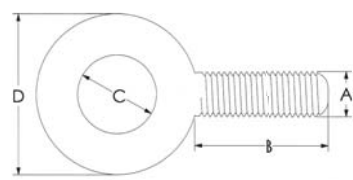
Part Number	A		B		C		D	
	Thread Size UNC-2A	Shank Length	ID Eye	OD Eye	Weight Lbs.	Rated Capacity Lbs.		
SS13611	1/4-20	1	3/4	1 3/16	0.060	460		
SS13621	5/16-18	1 1/8	7/8	1 7/16	0.100	780		
SS13631	3/8-16	1 1/4	1	1 21/32	0.150	1,160		
SS13641	1/2-13	1 1/2	1 3/32	2 1/16	0.300	2,150		
SS13661	5/8-11	1 3/4	1 3/8	2 1/2	0.610	3,440		
SS13672	3/4-10	2	1 1/2	2 13/16	0.980	5,140		
SS13702	1-8	2 1/2	1 13/16	3 9/16	2.060	9,370		



## Plain Eye Bolt

### - Alloy

Forged 8620 Alloy Steel



Specifications	
• Process: Forged	• Material: 8620 Alloy Steel
• Finish: Self-Colored (Additional Finishes Available)	
• Threads: Full Thread UNC-2A	
• Origin: Domestic	
• Specifications: ASTM-F541	

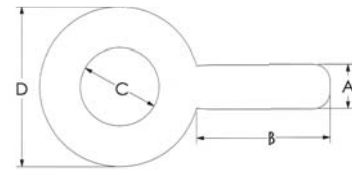
	A	B	C	D		
Self-Colored Part Number	Thread Size UNC-2A	Shank Length	ID Eye	OD Eye	Weight Lbs.	Rated Capacity Lbs.
13631LT	3/8-16	1 1/4	1	1 21/32	0.150	1,480
13641LT	1/2-13	1 1/2	1 3/16	2 1/16	0.300	2,700
13661LT	5/8-11	1 3/4	1 3/8	2 1/2	0.610	4,300
13672LT	3/4-10	2	1 1/2	2 13/16	0.980	6,400
13682LT	7/8-9	2 1/4	1 11/16	3 1/4	1.530	8,800
13702LT	1-8	2 1/2	1 13/16	3 9/16	2.060	11,600



## Plain Blank Eye Bolt

### - Stainless

Forged Stainless Steel



Specifications	
• Process: Forged	
• Material: 316 Stainless Steel	
• Finish: Self-Colored	
• Origin: Domestic	

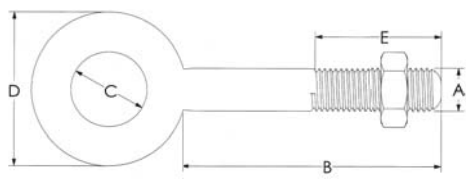
	A	B	C	D	
Part Number	Diameter	Shank Length +.060/-.000	ID Eye +.090/-.030	OD Eye +.090/-.030	Weight
SSR31602	3/8	6	3/4	1 1/2	0.300
SSR31600	3/8	10	3/4	1 1/2	0.400
SSR31606	1/2	6	1	2	0.520
SSR31605	1/2	12	1	2	0.930
SSR31612	5/8	6	1 3/8	2 1/2	0.990
SSR31610	5/8	12	1 3/8	2 1/2	1.510
SSR31614	3/4	6	1 1/2	2 13/16	1.530
SSR31615	3/4	12	1 1/2	1 1/4	2.280
SSR31617	7/8	12	1 3/4	1 1/2	3.650
SSR31621	1	6	2	4	3.770
SSR31620	1	12	2	4	5.070



## Plain Eye Bolt w/ Nut

### - Stainless

Forged Stainless Steel



Specifications	
• Process: Forged	• Material: 304 Stainless Steel
• Finish: Passivated & Electro-Polished	
• Threads: UNC 2A	• Origin: Domestic
• Specifications: Includes stainless hex nut. Not assembled.	

	A	B	C	D	E		
Part Number	Diameter	Shank Length +.060/-.000	ID Eye +.090/-.030	OD Eye +.090/-.030	Thread Length	Weight	Rated Capacity
SS12314	1/4	4	1/2	1	1	0.100	500
SS12323	5/16	4	5/8	1 1/4	1 1/4	0.150	800
SS12341	1/2	4 1/2	1	2	2	0.520	2,200
SS12343	1/2	6	1	2	2	0.600	2,200
SS12350	5/8	4	1 3/8	2 1/2	2 1/2	0.820	3,500
SS12352	5/8	6	1 3/8	2 1/2	2 1/2	0.990	3,500
SS12362	3/4	6	1 1/2	2 13/16	3	1.530	5,200
SS12371	7/8	6	1 3/4	3 1/2	3	2.650	7,200
SS12380	1	6	2	4	4	3.770	10,000

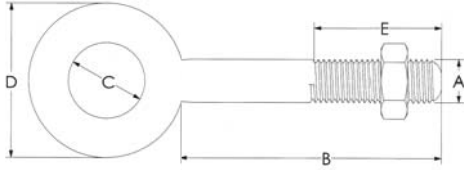




# Plain Eye Bolt w/ Nut

## - Carbon

Forged Carbon Steel



### Specifications

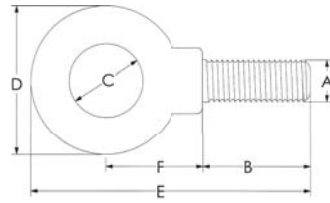
- Process: Forged
- Material: Carbon Steel
- Finish: Hot Galvanized to ASTM A 153 (Additional Finishes Available)
- Threads: UNC-2A Before Galvanized
- Specifications: Each threaded eye bolt includes one galvanized nut not assembled.
- Blanks and specials available.

	A	B	C	D	E		
Part Number	Thread Diameter UNC-2A	Shank Length +.060/-0.000	ID Eye +.090/-0.030	OD Eye +.090/-0.030	Thread Length Min.	Weight	Rated Capacity Lbs.
12310	1/4-20	2	1/2	1	1	0.070	500
12314	1/4-20	4	1/2	1	1	0.104	500
12316	1/4-20	6	1/2	1	1	0.140	500
12319	5/16-18	2 1/4	5/8	1 1/4	1 1/4	0.118	800
12321	5/16-18	3	5/8	1 1/4	1 1/4	0.134	800
12323	5/16-18	4	5/8	1 1/4	1 1/4	0.164	800
12325	5/16-18	5	5/8	1 1/4	1 1/4	0.172	800
12326	5/16-18	6	5/8	1 1/4	1 1/4	0.210	800
12330	3/8-16	2 1/2	3/4	1 1/2	1 1/2	0.200	1,200
12331	3/8-16	3	3/4	1 1/2	1 1/2	0.220	1,200
12333	3/8-16	4	3/4	1 1/2	1 1/2	0.248	1,200
12334	3/8-16	4 1/2	3/4	1 1/2	1 1/2	0.260	1,200
12335	3/8-16	5	3/4	1 1/2	1 1/2	0.284	1,200
12336	3/8-16	6	3/4	1 1/2	1 1/2	0.330	1,200
12338	3/8-16	8	3/4	1 1/2	1 1/2	0.394	1,200
12339	3/8-16	10	3/4	1 1/2	1 1/2	0.438	1,200
12340	1/2-13	3 1/4	1	2	2	0.400	2,100
12341	1/2-13	4	1	2	2	0.506	2,100
12343	1/2-13	6	1	2	2	0.598	2,100
12345	1/2-13	8	1	2	2	0.712	2,100
12347	1/2-13	10	1	2	2	0.822	2,100
12348	1/2-13	12	1	2	2	0.984	2,100
12350	5/8-11	4	1 1/4	2 1/2	2 1/2	0.870	3,200
12351	5/8-11	5	1 1/4	2 1/2	2 1/2	0.930	3,200
12352	5/8-11	6	1 1/4	2 1/2	2 1/2	1.040	3,200
12354	5/8-11	8	1 1/4	2 1/2	2 1/2	1.250	3,200
12357	5/8-11	12	1 1/4	2 1/2	2 1/2	1.590	3,200
12358	5/8-11	15	1 1/4	2 1/2	2 1/2	1.816	3,200
12360	3/4-10	4	1 1/2	3	3	1.364	4,500
12362	3/4-10	6	1 1/2	3	3	1.594	4,500
12364	3/4-10	8	1 1/2	3	3	1.867	4,500
12366	3/4-10	10	1 1/2	3	3	2.108	4,500
12367	3/4-10	12	1 1/2	3	3	2.350	4,500
12368	3/4-10	15	1 1/2	3	3	2.742	4,500
12369	3/4-10	18	1 1/2	3	3	3.124	4,500
12370	7/8-9	5	1 3/4	3 1/2	3 1/2	2.330	7,000
12371	7/8-9	6	1 3/4	3 1/2	3 1/2	2.504	7,000
12373	7/8-9	8	1 3/4	3 1/2	3 1/2	2.732	7,000
12375	7/8-9	12	1 3/4	3 1/2	3 1/2	3.420	7,000
12380	1-8	6	2	4	4	3.362	8,500
12382	1-8	8	2	4	4	3.858	8,500
12384	1-8	10	2	4	4	4.230	8,500
12385	1-8	12	2	4	4	4.842	8,500
12386	1-8	15	2	3 98/99	4	5.686	8,500
12390	1-1/4-7	6	2 3/16	4 7/16	5	5.022	13,500
12391	1-1/4-7	8	2 3/16	4 7/16	5	6.212	13,500
12393	1-1/4-7	12	2 3/16	4 7/16	4	7.200	13,500
12396	1-1/2-6	12	2 1/2	5 3/16	4	11.266	20,000



## Shoulder Eye Bolt - Carbon

Forged Carbon Steel



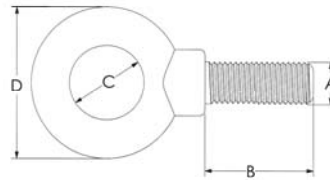
Specifications	
• Process:	Forged
• Material:	Carbon Steel
• Finish:	Self-Colored, Galvanized, Zinc Plated (Additional Finishes Available)
• Threads:	Full Thread UNC/UNF 2A
• Origin:	Domestic
• Specifications:	ASTM-A489, meets ANSI B18.15

		A	B	C	D	E	F		
Self-Colored Part Number	Zinc Plated Part Number*	Thread Size UNC-2A	Shank Length	ID Eye	OD Eye	Overall Length	Center of Eye to Shoulder	Weight Lbs.	Rated Capacity Lbs.
14611	ZP14611	1/4-20	1	3/4	1 3/16	2 13/32	3/4	0.060	500
14621	ZP14621	5/16-18	1 1/8	7/8	1 7/16	2 13/16	15/16	0.120	900
14631	ZP14631	3/8-16	1 1/4	1	1 21/32	3 11/32	1 1/8	0.190	1,300
14638	ZP14638	7/16-14	1 3/8	1 3/32	1 27/32	3 21/32	1 1/4	0.260	1,800
14641	ZP14641	1/2-13	1 1/2	1 3/16	2 1/16	4 5/64	1 3/8	0.400	2,400
14650	ZP14650	9/16-12	1 5/8	1 9/32	2 9/32	3 13/16	1 21/32	0.460	3,000
14661	ZP14661	5/8-11	1 3/4	1 3/8	2 1/2	4 3/4	1 21/32	0.700	4,000
14672	ZP14672	3/4-10	2	1 1/2	2 13/16	5 1/4	1 13/16	1.100	5,000
14682	ZP14682	7/8-9	2 1/4	1 11/16	3 1/4	6 1/32	2 1/8	1.640	7,000
14702	ZP14702	1-8	2 1/2	1 13/16	3 9/16	6 11/16	2 5/16	2.360	9,000
14712	ZP14712	1 1/8-7	2 3/4	2	4	7 5/8	2 11/16	3.470	12,000
14723	ZP14723	1 1/4-7	3 1/9	2 3/16	4 7/16	8 5/16	2 15/16	4.600	15,000
14753	ZP14753	1 1/2-6	3 1/2	2 1/2	5 3/16	9 27/64	3 5/16	7.190	21,000
14770	ZP14770	1-3/4-5	3 3/4	2 7/8	6 1/16	9 13/16	4	11.350	28,000
14780	ZP14780	2-4 1/2	4	3 1/4	6 7/8	11	4 3/8	16.700	38,000
14790	ZP14790	2 1/2-4	5	4	8 9/16	13 5/8	5 9/16	29.800	56,000



## Shoulder Eye Bolt - Stainless

Forged Stainless Steel



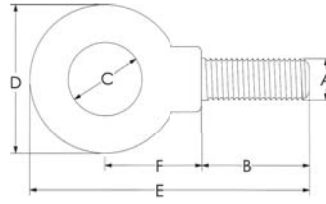
Specifications	
• Process:	Forged
• Material:	Stainless Steel
• Finish:	Passivated & Electro-Polished
• Threads:	Full Thread - UNC/UNF 2A
• Origin:	Domestic
• Specifications:	ASTM-A-193-B8

	A	B	C	D		
Part Number	Thread Size UNC-2A	Shank Length	ID Eye	OD Eye	Weight Lbs.	Rated Capacity Lbs.
SS14611	1/4-20	1	3/4	1 3/16	0.060	460
SS14621	5/16-18	1 1/8	7/8	1 7/16	0.110	780
SS14631	3/8-16	1 1/4	1	1 21/32	0.200	1,160
SS14641	1/2-13	1 1/2	1 3/32	2 1/16	0.420	2,150
SS14661	5/8-11	1 3/4	1 3/8	2 1/2	0.700	3,440
SS14672	3/4-10	2	1 1/2	2 13/16	1.080	5,140
SS14702	1-8	2 1/2	1 13/16	3 9/16	2.460	9,370



# Shoulder Eye Bolt - Alloy

Forged Alloy Steel



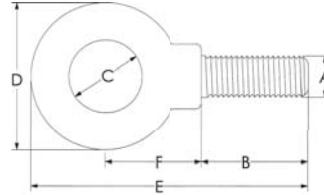
Specifications
• Process: Forged
• Material: 8620 Alloy Steel
• Finish: Self-Colored (Additional Finishes Available)
• Threads: Full Thread - UNC-2A
• Origin: Domestic
• Specifications: ASTM-F541

	A	B	C	D	E	F		
Part Number	Thread Size UNC-2A	Shank Length	ID Eye	OD Eye	Overall Length	Weight Lbs.	Center of Eye to Shoulder	Rated Capacity Lbs.
14631LT	3/8-16	1 1/4	1	1 21/32	3 11/32	0.190	1 1/8	1,480
14641LT	1/2-13	1 1/2	1 3/16	2 1/16	4 5/64	0.400	1 3/8	2,700
14661LT	5/8-11	1 3/4	1 3/8	2 1/2	4 3/4	0.700	1 21/32	4,300
14672LT	3/4-10	2	1 1/2	2 13/16	5 1/4	1.100	1 13/16	6,400
14682LT	7/8-9	2 1/4	1 11/16	3 1/4	6 1/32	1.640	2 1/8	8,800
14702LT	1-8	2 1/2	1 13/16	3 9/16	6 11/16	2.360	2 5/16	11,600
14723LT	1 1/4-7	3	2 3/16	4 7/16	8 5/16	4.680	2 15/16	18,400
14753LT	1 1/2-6	3 1/2	2 1/2	5 3/16	9 27/64	7.770	3 5/16	26,400
14780LT	2-4 1/2	4	3 1/4	6 7/8	11	16.870	4 3/8	47,600



# Metric Shoulder Eye Bolt - Carbon

Forged Carbon Steel



Specifications
• Process: Forged
• Material: Carbon Steel
• Finish: Self-Colored
• Threads: ISO Coarse Thread-6G
• Origin: Domestic

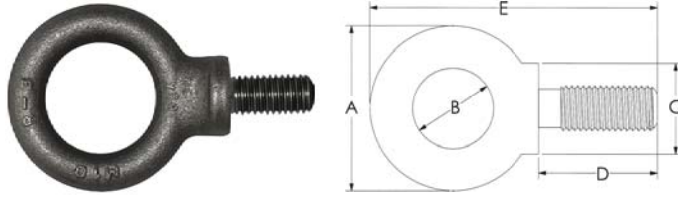
	A	B	C	D	E	F				
Part Number	Thread Size	Approx. Equiv. in Inches	Shank Length in Millimeters	ID Eye	OD Eye	Overall Length	Center of Eye to Shoulder	Weight Lbs.	Rated Capacity in KGS.	Rated Capacity Lbs.
14006M	M6 x 1.00	1/4	12.0	19.0	30.0	47.04	18.50	0.05	210	462
14007M	M7 X 1.00	5/16	14.0	22.0	36.5	57.35	23.20	0.10	370	814
14008M	M8 X 1.25	3/8	16.0	25.0	43.0	67.50	27.80	0.17	500	1,110
14010M	M10 X 1.50	7/16	20.0	27.0	46.0	75.75	30.90	0.22	740	1,628
14012M	M12 X 1.75	1/2	25.4	30.0	54.0	87.35	34.00	0.35	1,030	2,266
14014M	M14 X 2.00	9/16	28.0	33.0	58.0	97.40	40.90	0.46	1,600	3,520
14016M	M16 X 2.00	5/8	32.0	35.0	65.0	105.10	40.90	0.65	1,600	3,520
14018M	M18 X 2.50	3/4	36.0	38.0	71.5	118.70	44.70	1.08	2,140	4,708
14020M	M20 X 2.50	7/8	40.0	41.0	81.0	134.50	52.50	1.46	2,860	6,292
14024M	M24 X 3.00	1	48.0	46.0	90.4	154.00	57.10	2.34	3,850	8,470
14027M	M27 X 3.00	1 1/8	48.0	51.0	103.0	168.00	66.50	2.39	5,200	11,440
14030M	M30 X 3.50	1 1/4	60.0	55.0	112.7	191.40	72.70	4.66	6,400	14,080
14036M	M36 X 4.00	1 1/2	72.0	63.0	131.8	222.30	81.80	7.75	8,970	19,734
14042M	M42 X 4.50	1 5/8	84.0	73.0	152.4	262.35	101.60	11.80	11,960	26,312
14045M	M45 X 4.50	1 3/4	84.0	73.0	152.4	262.35	101.60	11.33	12,720	27,984
14048M	M48 X 5.00	1 7/8	96.0	82.0	174.6	297.00	111.00	15.88	16,400	36,080
14052M	M52 X 5.00	2	96.0	82.0	174.6	305.56	111.00	16.68	17,300	38,060



## DIN Eye Bolt

### - Metric

Forged Carbon Steel



#### Specifications

- Process: Forged
- Material: Carbon Steel, Stainless Steel
- Finish: Self-Colored (Additional Finishes Available)
- Threads: Full Thread UNC/UNF 2A
- Origin: Import
- Specifications: DIN580, manufactured to European standards

*\*Dimensions listed in millimeters*

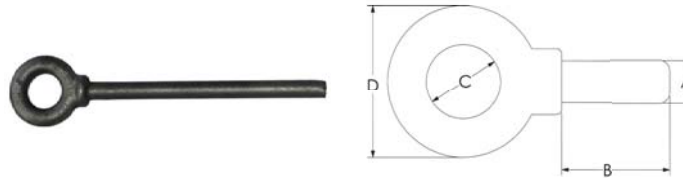
Part Number	Thread Size	Shank Length	ID Eye	OD Eye	Width of Shoulder	Overall Length	Weight Per Kgs.	Rated Capacity Kgs.
58006	M6	13	15	27	20	41.85	0.049	70
58008	M8	13	20	36	20	49.75	0.132	140
58010	M10	17	25	45	25	65.65	0.242	230
58012	M12	20.5	30	54	30	75.10	0.396	340
58014	M14	27	35	63	35	90.45	0.550	490
58016	M16	27	35	63	35	90.45	0.616	700
58020	M20	30	40	72	39	103.65	1.000	1,200
58024	M24	36	50	90	49	127.15	1.628	1,800
58030	M30	45	60	108	64	153.75	3.652	3,600
58036	M36	54	70	126	75	182.60	5.830	5,100
58042	M42	63	80	144	85	212.00	8.866	7,000



## Shoulder Blank Eye Bolt

### - Stainless

Forged Stainless Steel



#### Specifications

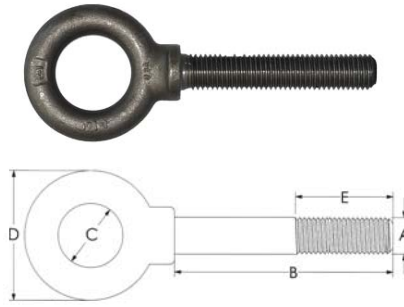
- Process: Forged
- Material: 316 Stainless Steel
- Finish: Self-Colored
- Origin: Domestic

Part Number	Diameter	Shank Length +.060/-.000	ID Eye +.090/-.030	OD Eye +.090/-.030	Weight
SSR31636	3/8	6	3/4	1 1/2	0.350
SSR31640	3/8	10	3/4	1 1/2	0.460
SSR31642	1/2	6	1	2	0.660
SSR31645	1/2	12	1	2	1.000
SSR31648	5/8	6	1 3/8	2 1/2	1.100
SSR31650	5/8	12	1 3/8	2 1/2	1.630
SSR31653	3/4	6	1 1/2	2 13/16	1.710
SSR31655	3/4	12	1 1/2	1 1/4	2.450
SSR31657	7/8	12	1 3/4	1 1/2	3.850
SSR31660	1	6	2	4	4.060



# Shoulder Eye Bolt - Special Sizes

Forged Carbon Steel



Specifications
• Process: Forged
• Material: Carbon Steel
• Finish: Self-Colored (Additional Finishes Available)
• Threads: Full Thread UNC/UNF 2A
• Origin: Domestic

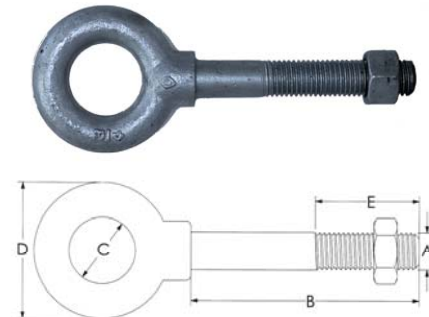
	A	B	C	D	E		
Part Number	Thread Size UNC-2A	Shank Length	ID Eye	OD Eye	Min. Thread	Weight Lbs.	Rated Capacity Lbs.
17630	3/8-16	3/4	1	1 21/32	5/8	0.16	1,200
17632	3/8-16	2	3/4	1 1/2	1 7/8	0.17	1,200
17633	3/8-16	3 1/2	1	1 21/32	3 3/8	0.23	1,200
17640	1/2-13	1	9/16	1 5/16	7/8	0.33	2,100
17744	1/2-13	1	1 3/16	2 1/16	15/16	0.35	2,100
17642	1/2-13	2 3/16	1 3/16	2 1/16	2 1/16	0.41	2,100
17662	5/8-11	2 5/8	1 3/8	2 1/2	2 1/2	0.79	3,200
17673	3/4-10	3 1/2	1 1/2	2 13/16	3 3/8	1.24	4,500
17685	1-8	3 1/4	1 13/16	3 9/16	3 1/8	2.95	8,500
17690	1-8	6	1 13/16	3 9/16	5 15/16	4.00	8,500
17693	1-8	12	2	4	11 15/16	5.50	8,500
17696	1-1/4-7	6	2 1/2	4 7/16	5 15/16	5.80	13,500
17699	1-1/4-7	12	2 3/16	4 7/16	11 15/16	7.60	13,500



# Shoulder Eye Bolt w/ Nut

- Carbon

Forged Carbon Steel

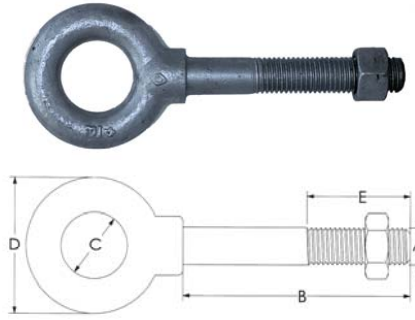


Specifications
• Process: Forged
• Material: Carbon Steel
• Finish: Galvanized (Additional Finishes Available)
• Threads: UNC-2A before galvanized
• Specifications: Each threaded eye bolt includes one galvanized nut, not assembled. Blanks and specials available.

	A	B	C	D	E		
Part Number	Thread Diameter UNC-2A	Shank Length +.060/- .000	ID Eye +.090/- .030	OD Eye +.090/- .030	Thread Length Min.	Weight	Rated Capacity Lbs.
15710	1/4	2	1/2	1	1	0.084	400
15714	1/4	4	1/2	1	2	0.110	400
15719	5/16	2 1/4	5/8	1 1/4	1 1/4	0.122	800
15724	5/16	4 1/4	5/8	1 1/4	1 1/4	0.198	800
15730	3/8	2 1/2	3/4	1 1/2	1 1/2	0.222	1,200
15734	3/8	4 1/2	3/4	1 1/2	1 1/2	0.290	1,200
15738	3/8	6	3/4	1 1/2	1 1/2	0.334	1,200
15740	1/2	3 1/4	1	2	2	0.494	2,100
15741	1/2	4	1	2	2	0.532	2,100
15743	1/2	6	1	2	2	1.120	2,100
15750	5/8	4	1 3/8	2 1/2	2 1/2	0.982	3,200
15752	5/8	6	1 3/8	2 1/2	2 1/2	1.350	3,200
15760	3/4	4 1/2	1 1/2	3	3	1.540	4,500
15762	3/4	6	1 1/2	3	3	1.588	4,500

## Shoulder Eye Bolt w/ Nut - Stainless

Forged Stainless Steel



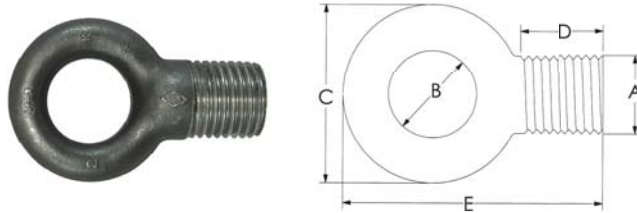
Specifications	
• Process:	Forged
• Material:	304 Stainless Steel
• Finish:	Passivated & Electro-Polished
• Threads:	Full Thread UNC/UNF 2A
• Origin:	Domestic
• Specifications:	Includes stainless hex nut, not assembled

	A	B	C	D	E		
Part Number	Diameter	Shank Length +.060/- .000	ID Eye +.090/- .030	OD Eye +.090/- .030	Thread Length	Weight	Rated Capacity
SS17734	3/8-16	4 1/2	3/4	1 1/2	1 1/2	0.300	1,200
SS17743	1/2-13	6	1	2	2	0.660	2,200
SS17752	5/8-11	6	1 3/8	2 1/2	2 1/2	1.100	3,500
SS17762	3/4-10	6	1 1/2	2 13/16	3	1.710	5,200
SS17690	1-8	6	2	4	4	4.060	10,000



## Reduced Eye Bolt - Carbon

Forged Carbon Steel



Specifications	
• Process:	Forged
• Material:	Carbon Steel
• Finish:	Self-Colored (Additional Finishes Available)
• Threads:	Full Thread UNC/UNF 2A
• Origin:	Domestic
• Specifications:	Heat Treat to ASTM-A489

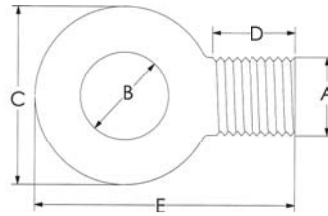
	A	B	C	D	E		
Part Number	Thread Size	ID Eye	OD Eye	Thread Length Min.	Overall Length	Weight	Rated Capacity Lbs.
13900	1-1/4	1 1/2	2 3/4	7/8	4 5/32	1.070	8,000
13905	1-1/2	1 7/8	3 1/2	1 1/16	5 3/16	2.230	13,750
13910	2	2 1/8	4 1/8	1 7/16	6 9/16	4.360	20,000
13915	2-1/2	2 1/2	4 3/4	1 7/8	7 3/4	7.270	28,000



## Reduced Eye Bolt

### - Alloy

Forged Alloy Steel



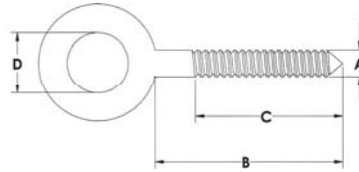
Specifications
• Process: Forged
• Material: 8620 Alloy Steel
• Finish: Self-Colored (Additional Finishes Available)
• Threads: Full Thread UNC/UNF 2A
• Origin: Domestic
• Specifications: Heat Treat to ASTM-F541

	A	B	C	D	E		
Part Number	Thread Size	ID Eye	OD Eye	Thread Length Min.	Overall Length	Weight	Rated Capacity Lbs.
13900LT	1-1/4	1 1/2	2 3/4	7/8	4 5/32	1.070	10,000
13905LT	1-1/2	1 7/8	3 1/2	1 1/16	5 3/16	2.230	17,125
13910LT	2	2 1/8	4 1/8	1 7/16	6 9/16	4.360	25,000
13915LT	2-1/2	2 1/2	4 3/4	1 7/8	7 3/4	7.270	35,000



## Screw Eye Bolt

Forged Carbon Steel



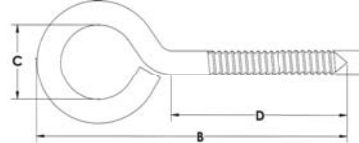
Specifications
• Process: Forged
• Material: Carbon Steel
• Finish: Self-Colored (Additional Finishes Available)
• Origin: Domestic

	A	B	C	D	
Part Number	Shank Diameter	Shank Length	Thread Length	ID Eye	Approx. Weight Lbs.
41390	1/4	2	1 5/8	1/2	0.05
41391	5/16	2 1/4	2	5/8	0.09
41392	3/8	2 1/2	2 1/4	3/4	0.15
41393	1/2	3 1/4	2 3/8	1	0.36
41394	5/8	4	2 1/2	1 3/8	0.75



## Lag Screw Eye Bolt

Forged Carbon Steel



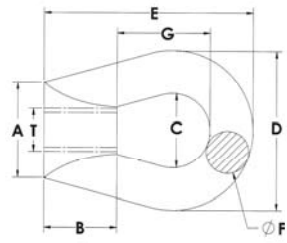
Specifications
• Process: Forged
• Material: Carbon Steel
• Finish: Zinc Plated
• Origin: Import

	A	B	C	D	
Part Number	Thread Diamete	Overall Length	ID	Shank Length	Approx. Weight Lbs.
40192	3/8	4	3/4	2 1/2	0.15



## Eye Nut - Carbon

Forged Carbon Steel



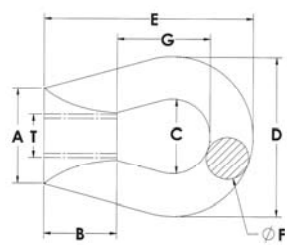
Specifications	
• Process:	Forged
• Material:	Carbon Steel
• Finish:	Self-Colored, Galvanized
• Threads:	UNC, UNF 2B Right or Left Hand
• Origin:	Domestic

		T	A	B	C	D	E	F	G		
Self-Colored Part Number	Hot Galvanized Part Number	Thread Diameter	Bell	Thread Length	ID	OD	Overall Length	Bail Diameter Thickness	ID Length	Weight Lbs.	Rated Capacity Lbs.
16037	16037G	3/8-16	7/8	5/8	1 1/4	2	2 1/2	3/8	1 1/2	0.246	2,700
16050	16050G	1/2-13	7/8	5/8	1 1/4	2	2 1/2	3/8	1 1/2	0.246	2,700
16062	16062G	5/8-11	1 3/8	3/4	1 1/2	2 1/2	3	1/2	1 3/4	0.582	5,000
16075	16075G	3/4-10	1 3/8	3/4	1 1/2	2 1/2	3	1/2	1 3/4	0.548	5,000
16087	16087G	7/8-9	2 1/32	1 11/32	1 5/8	3 3/8	3 31/32	7/8	1 3/4	1.912	14,400
16100	16100G	1-8	2 9/32	1 11/16	1 3/4	3 3/4	4 27/32	1 1/32	2 3/16	2.800	18,800
16125	16125G	1-1/4-7	3-1/8	2 7/32	2 1/2	3 1/32	6 5/8	1 3/8	3 1/32	7.830	29,400
16150	16150G	1-1/2-6	3 1/8	2 7/32	2 1/2	3 1/32	6 5/8	1 3/8	3 1/32	7.430	35,600



## Eye Nut - 304 Stainless

Forged 304 Stainless Steel



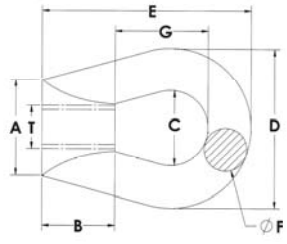
Specifications	
• Process:	Forged
• Material:	304 Stainless Steel
• Finish:	Self-Colored, Polished
• Threads:	UNC, UNF 2B Right or Left Hand
• Origin:	Domestic

		T	A	B	C	D	E	F	G		
Part Number	Thread Diameter	Bell	Thread Length	ID	OD	Overall Length	Bail Diameter Thickness	ID Length	Weight Lbs.	Rated Capacity Lbs.	
SS16037	3/8-16	7/8	5/8	1 1/4	2	2 1/2	3/8	1 1/2	0.246	2,700	
SS16050	1/2-13	7/8	5/8	1 1/4	2	2 1/2	3/8	1 1/2	0.246	2,700	
SS16062	5/8-11	1 3/8	3/4	1 1/2	2 1/2	3	1/2	1 3/4	0.582	5,000	
SS16075	3/4-10	1 3/8	3/4	1 1/2	2 1/2	3	1/2	1 3/4	0.548	5,000	
SS16087	7/8-9	2 1/32	1 11/32	1 5/8	3 3/8	3 31/32	7/8	1 3/4	1.912	14,400	
SS16100	1-8	2 9/32	1 11/16	1 3/4	3 3/4	4 27/32	1 1/32	2 3/16	2.800	18,800	



## Eye Nut - 316 Stainless

Forged 316 Stainless Steel



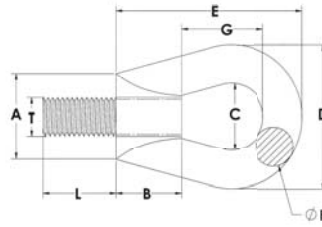
Specifications	
• Process:	Forged
• Material:	316 Stainless Steel
• Finish:	Self-Colored, Polished
• Threads:	UNC, UNF 2B
• Origin:	Domestic

		T	A	B	C	D	E	F	G		
Part Number	Thread Diameter	Bell	Thread Length	ID	OD	Overall Length	Bail Diameter Thickness	ID Length	Weight Lbs.	Rated Capacity Lbs.	
SS16237	3/8-16	7/8	5/8	1 1/4	2	2 1/2	3/8	1 1/2	0.250	2,700	
SS16250	1/2-13	7/8	5/8	1 1/4	2	2 1/2	3/8	1 1/2	0.230	2,700	
SS16262	5/8-11	1 3/8	3/4	1 1/2	2 1/2	3	1/2	1 3/4	0.560	5,000	
SS16275	3/4-10	1 3/8	3/4	1 1/2	2 1/2	3	1/2	1 3/4	0.550	5,000	



# High-Strength Lifting Eye

Forged Carbon Steel



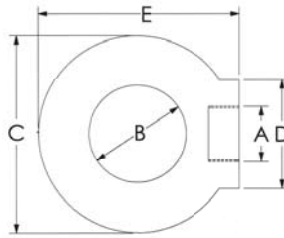
Specifications	
• Process:	Forged
• Material:	Eye Nuts - Carbon Steel, Stud - Alloy Steel
• Finish:	Self-Colored
• Threads:	UNC-2A/B
• Origin:	Domestic
• Specifications:	Designed for 90 degree lifts. 5-1 safety factor.

		T	A	B	C	D	E	F	G		
Part Number	Thread Diameter	Thread Length	Bell	Internal Thread Length	ID	OD	Eye Nut Length	Thickness	ID Length	Weight Lbs.	Rated Capacity at 90°
16310	1-8	1 7/8	2 1/4	1 13/16	1 3/4	3 3/4	4 27/32	1	2 3/16	3.376	9,000
16315	1-1/4-7	1 3/4	3 1/8	2 7/32	2 1/2	5 1/4	6 5/8	1 3/8	3 1/32	8.960	10,000
16320	1-1/2-6	1 3/4	3 1/8	2 7/32	2 1/2	5 1/4	6 5/8	1 3/8	3 1/32	9.000	15,500



# DIN Eye Nut - Metric

Forged 1015 Carbon Steel



Specifications	
• Process:	Forged
• Material:	Carbon Steel, Stainless Steel
• Finish:	Self-Colored, Galvanized, Zinc Plated
• Threads:	Metric
• Origin:	Import
• Specifications:	Manufactured To European standards, DIN582

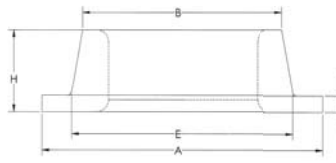
		A	B	C	D	E	
Self-Colored Part Number	Thread Size	Thread Diameter	ID Eye	OD Eye	Width of Shoulder	Overall Length	Weight per Kgs.
58028	M8	8-1.25	20	36	20	36	0.106
58210	M10	10-1.5	25	45	25	45	0.194
58212	M12	12-1.75	30	54	30	54	0.317
58214	M14	14-2	36	54	36	54	0.380
58216	M16	16-2	35	63	36	63	0.493
58220	M20	20-2.5	40	72	40	72	0.800
58224	M24	24-3	50	90	50	90	1.303





## Standard Heavy Flat Flange

Forged Carbon Steel



### Specifications

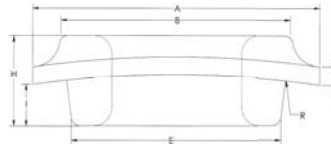
- Process: Forged
- Material: Carbon Steel
- Finish: Self-Colored
- Tap/Thread: Standard Tap / NPT
- Specifications: Meets SA181 Class 60

Standard Tap Part Number	Reverse Tap Part Number	Pipe Size	A	B	E	F	H	Weight Lbs.
60505	60605	1/4	1 1/4	23/32	3/4	1/8	5/16	0.06
60510	60610	3/8	1 1/4	27/32	15/16	1/8	3/8	0.06
60515	60615	1/2	1 1/2	1	1 1/8	1/8	1/2	0.09
60520	60620	3/4	1 3/4	1 13/64	1 3/8	5/32	21/32	0.16
60525	60625	1	2 1/8	1 33/64	1 11/16	1/8	5/8	0.24
60530	60630	1 1/4	2 1/2	1 25/32	2	1/8	3/4	0.30
60535	60635	1 1/2	3	2 5/32	2 3/8	1/8	3/4	0.48
60540	60640	2	3 1/2	2 37/64	2 7/8	5/32	27/32	0.69
60545	—	2 1/2	4 1/4	3 7/32	3 1/2	1/4	1	1.34
60550	—	3	4 3/4	3 55/64	4 1/8	1/4	1	1.62
60560	60660	4	5 3/4	4 55/64	5 1/8	5/16	1 7/32	2.34



## Standard Heavy Curved Flange

Forged Carbon Steel



### Specifications

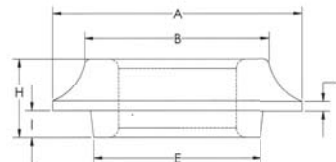
- Process: Forged
- Material: Carbon Steel
- Finish: Self-Colored
- Tap/Thread: Reverse Tap / NPT
- Specifications: Meets SA181 Class 60

Part Number	Pipe Size	A	B	E	F	H	I	Radius	Weight Lbs.
60420	3/4	2	1 5/8	1 17/32	1/8	5/8	5/16	7"	0.32
60425	1	2 3/8	1 3/4	1 21/32	1/8	3/4	1/4	15"	0.39
60430	1 1/4	2 11/16	2 1/8	1 31/32	1/8	11/16	3/16	7"	0.44
60435	1 1/2	3 1/16	2 7/16	2 11/32	1/8	25/32	3/16	8 1/8"	0.51
60437	1 1/2	3 1/16	2 7/16	2 11/32	1/8	25/32	3/16	15"	0.51
60440	2	3 1/2	2 7/8	2 19/32	1/8	7/8	5/32	7"	0.81
60442	2	3 1/2	2 7/8	2 19/32	1/8	31/32	5/32	15"	0.81
60445	2 1/2	4 1/16	3 9/32	3 1/32	1/8	1	1/4	27"	1.19
60450	3	4 5/8	3 15/16	3 21/32	1/8	1	1/4	27"	1.40
60460	4	5 13/16	5 1/8	4 23/32	1/8	1 7/32	13/32	27"	2.18
60465	5	7 1/8	6 3/16	5 13/16	1/4	1 5/16	5/16	40"	4.00



## Standard Heavy Flat Flange w/ Pilot - Carbon

Forged Carbon Steel



### Specifications

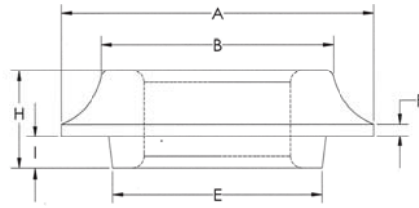
- Process: Forged
- Material: Carbon Steel
- Finish: Self-Colored
- Tap/Thread: Reverse Tap / NPT
- Specifications: Meets SA181 Class 60

Part Number	Pipe Size	A	B	E	F	H	I	Weight Lbs.
60300	1/8	1 1/2	1	15/16	3/32	9/16	1/4	0.12
60305	1/4	1 1/2	1	15/16	3/32	9/16	1/4	0.12
60310	3/8	1 1/2	1	15/16	3/32	9/16	1/4	0.12
60315	1/2	1 3/4	1 3/16	1 1/8	3/32	5/8	1/4	0.17
60320	3/4	2 1/8	1 7/16	1 23/64	3/32	11/16	1/4	0.23
60325	1	2 3/8	1 3/4	1 21/32	3/32	3/4	1/4	0.36
60330	1 1/4	2 11/16	2 1/8	2	3/32	3/4	1/4	0.45
60335	1 1/2	3	2 3/8	2 1/4	3/32	3/4	1/4	0.53
60340	2	3 1/2	2 7/8	2 5/8	3/32	27/32	1/4	0.74
60345	2 1/2	4 1/16	3 9/32	3 5/32	1/8	1	3/16	1.1
60350	3	4 5/8	3 15/16	3 21/32	1/8	1	3/16	1.26
60360	4	5 13/16	4 15/16	4 23/32	1/8	1 7/32	3/16	2.12



## Standard Heavy Flat Flange w/ Pilot - Stainless

Forged Stainless Steel



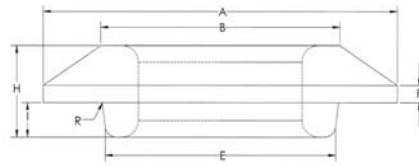
Specifications	
• Process:	Forged
• Material:	316 Stainless Steel
• Finish:	Self-Colored
• Tap/Thread:	Standard Tap / NPT
• Specifications:	Meets SA182 Class 60

Part Number	Pipe Size	A	B	E	F	H	I	Weight Lbs.
SS60305	1/4	1 1/2	1	15/16	3/32	9/16	1/4	0.12
SS60310	3/8	1 1/2	1	15/16	3/32	9/16	1/4	0.12
SS60315	1/2	1 3/4	1 3/16	1 1/8	3/32	5/8	1/4	0.17
SS60320	3/4	2 1/8	1 7/16	1 23/64	3/32	11/16	1/4	0.23
SS60325	1	2 3/8	1 3/4	1 21/32	3/32	3/4	1/4	0.36
SS60330	1 1/4	2 11/16	2 1/8	2	3/32	3/4	1/4	0.45
SS60335	1 1/2	3	2 3/8	2 1/4	3/32	3/4	1/4	0.53
SS60340	2	3 1/2	2 7/8	2 5/8	3/32	27/32	1/4	0.74
SS60345	2 1/2	4 1/16	3 9/32	3 5/32	1/8	1	3/16	1.10
SS60350	3	4 5/8	3 15/16	3 21/32	1/8	1	3/16	1.26



## Medium Heavy Flat Flange w/ Pilot

Forged Carbon Steel



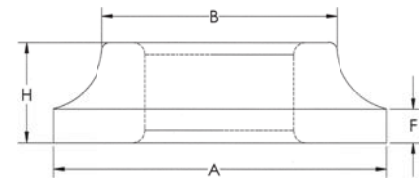
Specifications	
• Process:	Forged
• Material:	Carbon Steel
• Finish:	Self-Colored
• Tap/Thread:	Standard Tap / NPT
• Specifications:	Meets SA181 Class 60

Part Number	Pipe Size	A	B	E	F	H	I	Weight Lbs.
60000	1/8	1 5/16	7/8	59/64	3/32	3/8	1/8	0.10
60005	1/4	1 5/16	7/8	59/64	3/32	3/8	1/8	0.09
60010	3/8	1 5/16	7/8	59/64	3/32	3/8	1/8	0.07
60015	1/2	1 5/8	1 1/16	1 7/64	3/32	7/16	3/16	0.12
60020	3/4	1 15/16	1 5/16	1 19/64	3/32	1/2	3/16	0.19
60025	1	2 1/4	1 5/8	1 11/16	3/32	9/16	1/4	0.29
60030	1 1/4	2 9/16	1 15/16	1 63/64	3/32	9/16	1/4	0.33
60035	1 1/2	2 13/16	2 3/16	2 1/4	3/32	9/16	1/4	0.37
60040	2	3 3/8	2 3/4	2 5/8	3/32	5/8	1/4	0.51



## Extra Heavy Flat Flange

Forged Carbon Steel



Specifications	
• Process:	Forged
• Material:	Carbon Steel
• Finish:	Self-Colored
• Tap/Thread:	Standard Tap / NPT
• Specifications:	Meets SA181 Class 60

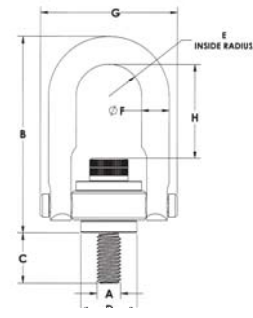
Part Number	Pipe Size	A	B	F	H	Weight Lbs.
60215	1/2	2	1 1/4	1/4	3/4	0.32
60220	3/4	2 1/4	1 1/2	1/4	3/4	0.44
60225	1	2 1/2	1 3/4	1/4	3/4	0.53
60230	1 1/4	3	2 1/16	1/4	3/4	0.63
60235	1 1/2	3 1/4	2 7/16	1/4	3/4	0.86
60240	2	3 3/4	2 7/8	1/4	3/4	1.04
60245	2 1/2	4 1/4	3 3/8	1/4	1	1.45
60250	3	5 1/2	4 1/4	1/4	1	2.90
60260	4	6 1/2	5 1/4	1/4	1 1/8	4.10



## Swivel Hoist Ring

### - Metric

Full Swivel, Pivot Action



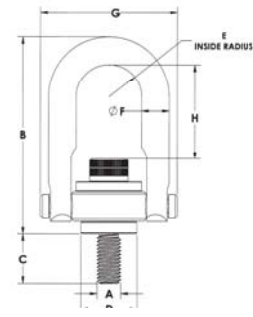
Specifications	
• Process: Forged	• Material: Alloy Steel
• Finish: Black Oxide Body Finish with Zinc Plated Gold Washer	
• Threads: Metric	• Origin: Domestic
• Specifications: Rated at 5-1 strength factor. Stated Load Capacity based on specific thread torques as shown in chart. It is recommended that these torques be used when installing Hoist Rings.	

Standard Clevis	A	B	C	D	E	F	G	H	Load Capacity (in Lbs.)**	Torque (ft. Lbs.)	Weight (in Lbs.)
Part Number	Thread Size	mm	Thread Length	mm	mm	mm	mm	mm			
16508M	M8 X 1.25	67.8	12.5	19.0	10.90	9.7	46.7	32.0	400	1.0	0.17
16510M	M10 X 1.50	67.8	17.5	19.0	10.90	9.7	46.7	30.0	450	1.7	0.17
16512M	M12 X 1.75	121.4	19.0	38.1	22.40	19.0	89.4	60.5	1,050	3.8	1.08
16516M	M16 X 2.0	121.4	29.0	38.1	22.40	19.0	89.4	56.5	1,900	8.2	1.12
16520M	M20 X 2.5	121.4	34.0	38.1	22.40	19.0	89.4	52.5	2,150	13.6	1.19
16524M	M24 X 3.0	165.6	37.0	58.7	35.60	25.4	130.6	69.0	4,200	31.0	3.10
16530M	M30 X 3.5	221.7	41.9	81.0	44.50	31.7	165.1	107.4	7,000	60.0	6.30
16536M	M36 X 4.0	316.7	63.5	106.4	57.20	44.4	217.2	166.5	11,000	100.0	15.50
16542M	M42 X 4.5	316.7	68.0	106.4	57.20	44.4	217.2	160.5	12,500	100.0	16.00
16548M	M48 X 5.0	316.7	88.0	106.4	57.20	44.4	217.2	154.5	13,500	100.0	16.80



## Center Pull Hoist Ring

Full Swivel, Pivot Action



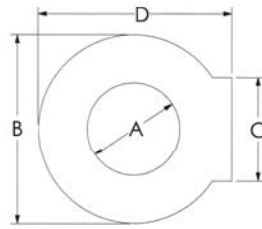
Specifications	
• Process: Forged	• Material: Alloy Steel
• Threads: UNC-2A	
• Finish: Black Oxide Body Finish with Zinc Plated Gold Washer	• Origin: Domestic
• Specifications: Rated at 5-1 strength factor. Stated Load Capacity based on specific thread torques as shown in chart. It is recommended that these torques be used when installing Hoist Rings.	

Part Number	B	A	C	D	E	F	G	H	H	Load Capacity (in Lbs.)**	Torque (ft. Lbs.)	Weight (in Lbs.)
16202	2.67	5/16-18	0.56	0.75	0.43	0.38	1.840	1.25	—	800	7	0.3
16204	2.67	3/8-16	0.56	0.75	0.43	0.38	1.840	1.25	—	1,000	12	0.3
16208	4.78	1/2-13	0.75	1.50	0.88	0.75	3.520	2.38	4.25	2,500	28	2.5
16210	4.78	1/2-13	1.00	1.50	0.88	0.75	3.520	2.38	4.25	2,500	28	2.5
16212	4.78	1/2-13	1.25	1.50	0.88	0.75	3.520	2.38	4.25	2,500	28	2.5
16215	4.78	5/8-11	1.00	1.50	0.88	0.75	3.520	2.25	4.19	4,000	60	2.7
16217	4.78	5/8-11	1.25	1.50	0.88	0.75	3.520	2.25	4.19	4,000	60	2.7
16220	4.78	3/4-10	1.00	1.50	0.88	0.75	3.520	2.12	4	5,000	100	3.0
16221	4.78	3/4-10	1.50	1.50	0.88	0.75	3.520	2.12	4	5,000	100	3.0
16225	6.52	7/8-9	1.00	2.31	1.40	1.00	5.140	2.81	4.38	8,000	160	7.0
16227	6.52	7/8-9	1.25	2.31	1.40	1.00	5.140	2.81	4.38	8,000	160	7.0
16230	6.52	1-8	1.50	2.31	1.40	1.00	5.140	2.69	4.38	10,000	230	7.5
16232	6.52	1-8	2.25	2.31	1.40	1.00	5.140	2.69	4.38	10,000	230	7.5
16235	8.73	1 1/4-7	1.88	3.19	1.75	1.25	6.500	4.25	—	15,000	470	14.0
16237	8.73	1 1/4-8	1.88	3.19	1.75	1.25	6.500	4.25	—	15,000	470	14.0
16240	12.47	1 1/2-6	2.75	4.19	2.25	1.75	8.550	6.50	—	24,000	800	33.0
16242	12.47	1 1/2-8	2.75	4.19	2.25	1.75	8.550	6.50	—	24,000	800	33.0
16245	12.47	2 1/2-4	3.12	4.19	2.25	1.75	8.550	6.12	—	30,000	800	36.0
16247	12.47	2-8	3.12	4.19	2.25	1.75	8.550	6.12	—	30,000	800	36.0
16246	16.5	2 1/2-4	4.00	5.75	3.00	2.25	11.720	8.50	—	50,000	2,100	89.0



# Pad Eye

Forged Carbon or Stainless Steel

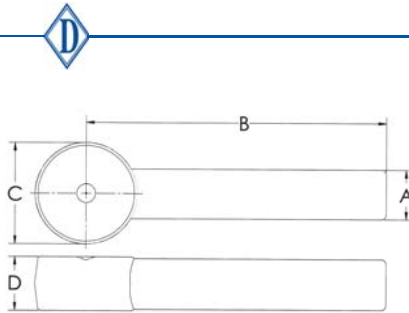


Specifications
• Process: Forged
• Material: Carbon Steel, 304 & 316 Stainless Steel
• Finish: Self-Colored
• Origin: Domestic
• Specifications: ASTM 521, Class CA.
<i>Suitable for welding</i>
<b>NOT RECOMMENDED FOR LIFTING</b>

	A	B	C	D	
Self-Colored Part Number	ID	OD	Shoulder Diameter	Overall Length	Weight Lbs.
41500	3/4	1 3/16	17/32	1 13/32	0.05
41502	7/8	1 7/16	19/32	1 11/16	0.17
41503	1	1 21/32	11/16	1 63/64	0.13
41504	1 3/16	2 1/16	7/8	2 15/32	0.29
41506	1 3/8	2 1/2	1 1/16	2 31/32	0.56
41507	1 1/2	2 13/16	1 1/4	3 5/16	0.86

# Rod End Blank - Stainless

Forged Stainless Steel



Specifications
• Process: Forged
• Material: 304 Stainless Heat Treated to ASTM-A193B8, 316 Stainless Heat Treated to ASTM-A193B8M
• Finish: Self-Colored, Polished
• Origin: Import or Domestic
• Specifications: Longer lengths available

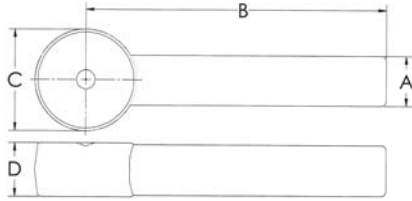
	A	B	C	D		
Part Number 304 Stainless	Part Number 316 Stainless	Shank Diameter +.060/-0.000 in.	CEE +.060/-0.000 in.	Head Diameter +.060/-0.030 in.	Head Thickness +.032/-0.015 in.	Weight (in Lbs.)
SSR18000	SSR31661	1/4	1 1/2	9/16	9/32	0.03
SSR18010	SSR31662	1/4	3 1/2	9/16	9/32	0.06
SSR18020	SSR31663	1/4	6	9/16	9/32	0.14
SSR18025	SSR31664	5/16	1 1/2	9/16	11/32	0.06
SSR18030	SSR31665	5/16	3 1/2	5/8	11/32	0.10
SSR18035	SSR31667	5/16	6	5/8	11/32	0.21
SSR18040	SSR31669	3/8	3 1/2	3/4	7/16	0.18
SSR18050	SSR31670	3/8	6	3/4	7/16	0.250
SSR18051	SSR31672	3/8	12	3/4	7/16	0.430
SSR18052	SSR31673	7/16	6	7/8	1/2	0.330
SSR18055	SSR31674	7/16	12	7/8	1/2	0.590
SSR18065	SSR31675	1/2	6	31/32	9/16	0.500
SSR18070	SSR31677	1/2	12	31/32	9/16	0.750
SSR18105	SSR31680	5/8	6	1 1/4	11/16	0.750
SSR18110	SSR31682	5/8	12	1 1/4	11/16	1.250
SSR18130	SSR31685	3/4	6	1 1/2	13/16	1.100
SSR18135	SSR31687	3/4	12	1 1/2	13/16	1.800
SSR18150	SSR31690	7/8	6	1 13/16	15/16	1.500
SSR18155	SSR31692	7/8	12	1 13/16	15/16	2.600
SSR18170	SSR31695	1	6	2 1/32	1 1/16	2.150
SSR18175	SSR31697	1	12	2 1/32	1 1/16	3.500
SSR18180	SSR31710	1 1/8	12	2 1/8	1 13/16	4.170
SSR18182	SSR31720	1 1/4	12	2 5/8	1 5/16	5.650
SSR18185	SSR31630	1 1/2	6	3 3/32	1 1/2	5.250
SSR18190	SSR31740	1 1/2	12	3 3/32	1 1/2	8.250



# Rod End Blank

## - Carbon

Forged Carbon Steel



### Specifications

- Process: Forged
- Material: Carbon, 4140 Alloy
- Finish: Self-Colored
- Origin: Import or Domestic
- Specifications: Longer lengths available

Part Number	A	B	C	D	Weight Lbs.
	Shank Diameter +.060/-.000 in.	CEE +.060/-.000 in.	Head Diameter +.060/-.030 in.	Head Thickness +.032/-.015	
R18011	1/4	3	5/16	5/16	0.05
R18022	5/16	1 3/4	5/8	11/32	0.06
R18020	5/16	4	13/16	5/16	0.13
R18037	3/8	3 1/2	3/4	7/16	0.16
R18045	3/8	3 11/16	1	7/16	0.20
R18048	3/8	6	3/4	7/16	0.24
R18044	3/8	12	3/4	7/16	0.43
R18047	3/8	18	3/4	7/16	0.61
R18300	7/16	20	7/8	1/2	0.91
R18062	1/2	1 3/4	1	9/16	0.20
R18057	1/2	3 1/2	1	9/16	0.30
R18065	1/2	6	1	9/16	0.45
R18075	1/2	6	1 3/16	1/2	0.48
R18068	1/2	12	1 3/16	1/2	0.81
R18070	1/2	12	1	9/16	0.78
R18090	1/2	18	1 7/32	1/2	1.15
R18097	1/2	24	1 3/16	1/2	1.49
R18105	5/8	6	1 1/4	11/16	0.72
R18110	5/8	12	1 1/4	11/16	1.25
R18120	5/8	24	1 1/4	11/16	2.44
R18126	3/4	2 3/8	1 1/2	13/16	0.59
R18130	3/4	6	1 1/2	13/16	1.09
R18135	3/4	12	1 1/2	13/16	1.84
R18136	3/4	13 1/2	1 9/16	13/16	2.08
R18137	3/4	18	1 1/2	13/16	2.62
R18143	3/4	24	1 1/2	13/16	3.38
R18150	7/8	6	1 13/16	15/16	1.52
R18155	7/8	12	1 3/4	15/16	2.65
R18156	7/8	2 3/4	1 13/16	15/16	0.78
R18162	7/8	12	1 13/16	15/16	3.70
R18154	7/8	14 1/2	1 13/16	15/16	3.06
R18156	7/8	2 3/4	1 13/16	15/16	0.78
R18174	1	3	2 1/8	1 1/16	1.44
R18170	1	6	2 1/16	1	2.19
R18175	1	12	2 1/8	1	3.38
R18181	1	18	2 1/8	1	4.79
R18182	1	24	2 1/8	1	6.11
R18190	1 1/4	6	2 5/8	1 1/4	3.48
R18194	1 1/4	12	2 5/8	1 1/4	5.62
R18200	1 1/4	18	2 5/8	1 1/4	7.85
R18204	1 1/4	24	2 5/8	1 5/16	11.07
R18205	1 1/2	6	3 1/8	1 1/2	5.39
R18208	1 1/2	12	3 1/8	1 1/2	8.29
R18210	1 1/2	18	3 3/16	1 1/2	11.65
R18211	1 1/2	24	3 1/8	1 1/2	14.52
R18213	1 3/4	12	3 11/16	1 3/4	12.03
R18214	1 3/4	18	3 3/16	1 3/4	16.23
R18212	1 3/4	24	3 5/8	1 3/4	20.14
R18215	2	12	4 3/16	2	16.04
R18218	2	18	4 3/16	2	21.55
R18219	2	24	4 3/16	2	26.71

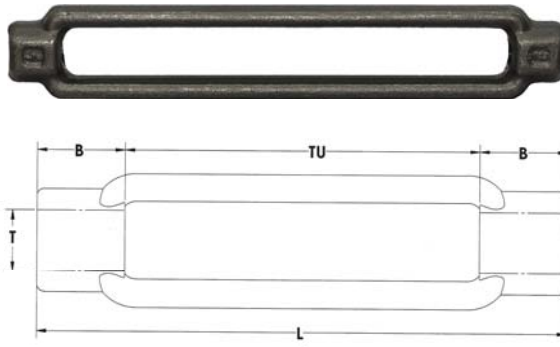




# Turnbuckle

## - Carbon

Forged Carbon Steel



### Specifications

- Process: Forged
- Material: Carbon Steel
- Finish: Self-Colored, Galvanized, Plated
- Threads: UNC/UNF 2B, Metric
- Origin: Domestic
- Specifications: ASTM F1145, Type 1, Grade 1, Class B

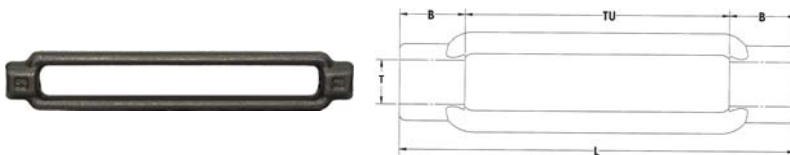
Self-Colored Part Number	Hot Galvanized Part Number	Thread Diameter UNC-2B	Take-Up	Nut End	Body Length	Rated Capacity Lbs.	Weight Lbs.
10604	10605	1/4-20	4 1/2	7/16	5 1/2	500	0.24
10608	10609	5/16-18	4 1/2	7/16	5 1/2	800	0.24
10612	10613	3/8-16	6	5/8	7 3/8	1,200	0.46
10614	10615	1/2-13	3	1	5 3/16	2,200	0.69
10616	10617	1/2-13	6	11/16	7 7/16	2,200	0.61
10620	10621	1/2-13	9	1 5/32	11 7/16	2,200	2.02
10624	10625	1/2-13	12	11/16	13 7/16	2,200	1.08
10626	10627	5/8-11	3	1	5 3/16	3,500	0.66
10628	10629	5/8-11	6	1	8 3/16	3,500	0.96
10632	10633	5/8-11	9	1 5/32	11 7/16	3,500	1.93
10636	10637	5/8-11	12	1 5/32	14 7/16	3,500	2.65
10640	10641	3/4-10	6	1 5/32	8 7/16	5,200	1.62
10644	10645	3/4-10	9	1 5/32	11 7/16	5,200	1.84
10648	10649	3/4-10	12	1 5/32	14 7/16	5,200	2.52
10654	10655	7/8-9	6	1 5/16	8 3/4	7,200	1.79
10656	10657	7/8-9	12	1 3/8	14 15/16	7,200	3.81
10664	10665	1-8	6	1 3/8	8 15/16	10,000	2.10
10668	10669	1-8	12	1 3/8	14 15/16	10,000	3.60
10680	10681	1 1/4-7	6	1 11/16	9 11/16	15,200	3.43
10682	10683	1 1/4-7	12	1 7/8	16	15,200	10.08
10686	10687	1 3/8-6	6	1 13/16	9 7/8	17,400	4.77
10690	10681	1 3/8-6	12	1 7/8	16	17,400	9.62
10684	10685	1 1/2-6	6	1 7/8	10	21,000	6.16
10694	10695	1 1/2-6	12	1 7/8	16	21,000	9.16
10606	10607	1 5/8-5 1/2	6	2 9/32	10 15/16	27,000	9.85
10610	10611	1 5/8-5 1/2	12	2 7/16	17 1/4	27,000	20.31
10688	10689	1 3/4-5	6	2 9/32	10 15/16	28,000	9.38
10696	10697	1 3/4-5	12	2 7/16	17 1/4	28,000	19.43
10622	10623	1 7/8-5	6	2 7/16	11 1/4	34,000	13.29
10630	10631	1 7/8-5	12	2 7/16	17 1/4	34,000	18.54
10692	10693	2-4 1/2	6	2 7/16	11 1/4	36,000	12.66
10634	10635	2-4 1/2	12	2 7/16	17 1/4	36,000	17.66
10638	10639	2-1/4-4 1/2	6	3 1/4	12 11/16	48,000	17.41
10646	10647	2 3/8-4	6	3 15/16	13 3/4	52,500	23.96
10650	10651	2 1/2-4	6	3 15/16	13 3/4	60,000	22.82



## Turnbuckle

### - Stainless

Forged Stainless Steel



#### Specifications

- Process: Forged
- Material: ASTM A 182, Grade F316
- Finish: Self-Colored, Polished
- Threads: UNC/UNF 2B, Metric
- Origin: Domestic

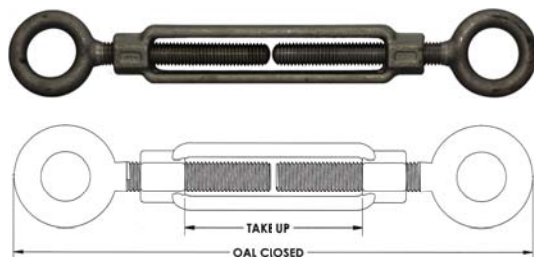
Part Number	Thread Diameter UNC-2B	Take-Up	Nut End	Body Length	WeightLbs.	Rated Capacity Lbs.
SS10612-316	3/8-16	6	5/8	7 3/8	0.46	1,200
SS10616-316	1/2-13	6	11/16	7 7/16	0.61	2,200
SS10628-316	5/8-11	6	1	8 3/16	0.96	3,500
SS10640-316	3/4-10	6	1 5/32	8 7/16	1.62	5,200
SS10643-316	1-8	6	1 3/8	8 15/16	2.10	10,000



## Eye & Eye Turnbuckle

### - Carbon

Forged Carbon Steel Assembly



#### Specifications

- Process: Forged
- Material: Carbon Steel
- Finish: Self-Colored, Galvanized
- Threads: UNC/UNF 2B, Metric
- Origin: Domestic (Round Eye design) or Import (Oval Eye design)
- Specifications: ASTM F1145, Class D

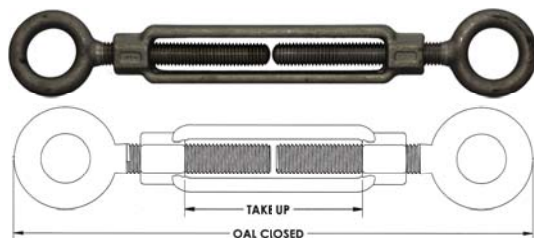
Self-Colored Part Number	Hot Galvanized Part Number	Import Hot Galvanized Part Number	Thread Diameter	Take-Up	Average Overall Length Closed	Weight Lbs.
10004	10704	25000	1/4	4 1/2	8 5/8	0.25
10008	10708	25005	5/16	4 1/2	8 13/16	0.52
10012	10712	25010	3/8	6	11 7/8	0.79
10016	10716	25015	1/2	6	13 1/4	1.48
10020	10720	—	1/2	9	16 3/8	1.96
10024	10724	25025	1/2	12	20 1/2	2.20
10028	10728	25030	5/8	6	13 3/4	2.29
10032	10732	25035	5/8	9	19 1/4	3.00
10036	10736	25040	5/8	12	21 3/8	3.69
10040	10740	25045	3/4	6	17 3/4	3.90
10044	10744	25050	3/4	9	18 7/8	4.58
10048	10748	25055	3/4	12	21 3/4	5.18
10064	10764	25080	1	6	21 1/4	7.50
10068	10768	25085	1	12	25 1/4	8.62



## Eye & Eye Turnbuckle

### - Stainless

Forged Stainless Steel Assembly



#### Specifications

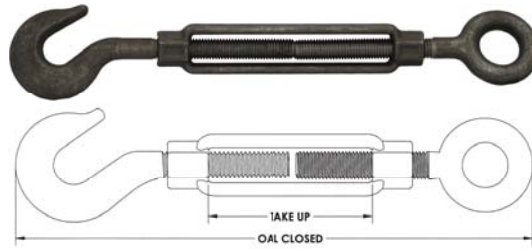
- Process: Forged
- 304 or 316 Stainless Steel
- Finish: Self-Colored, Polished
- Threads: UNC/UNF 2B, Metric
- Origin: Domestic

Self-Colored Part Number	Thread Diameter	Take-Up	Average Overall Length Closed	Weight Lbs.
SS10012	3/8	6	8 5/8	0.79
SS10016	1/2	6	12 5/8	1.67
SS10028	5/8	6	15 1/4	2.72
SS10040	3/4	6	16 1/5	4.40



# Hook & Eye Turnbuckle

Forged Carbon Steel Assembly



## Specifications

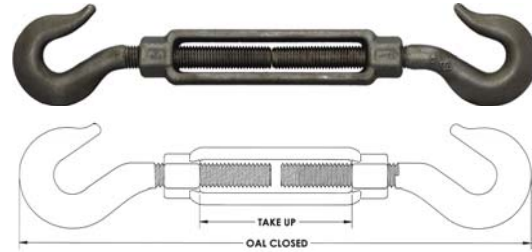
- Process: Forged
- Material: Carbon Steel
- Finish: Self-Colored, Galvanized
- Threads: UNC/UNF 2B, Metric
- Origin: Domestic (Round Eye design) or Import (Oval Eye design)
- Specifications: ASTM F1145, Class D

Self-Colored Part Number	Hot Galvanized Part Number	Import Hot Galvanized Part Number	Thread Diameter	Take-Up	Average Overall Length Closed	Weight Lbs.
10104	10804	25100	1/4	4 1/2	8 5/8	0.25
10108	10808	25105	5/16	4 1/2	8 13/16	0.44
10112	10812	25110	3/8	6	11 7/8	0.79
10116	10816	25115	1/2	6	13 1/4	1.51
10120	10820	25120	1/2	9	16 3/8	1.81
10124	10824	25125	1/2	12	20 1/2	2.20
10128	10828	25130	5/8	6	13 3/4	2.50
10132	10832	25135	5/8	9	19 1/4	3.00
10136	10836	25140	5/8	12	21 3/8	3.60
10140	10840	25145	3/4	6	17 3/4	3.90
10144	10844	25050	3/4	9	20 3/4	4.60
10148	10848	25155	3/4	12	21 3/4	5.30
—	—	25160	3/4	18	29 3/4	7.20
—	—	25165	7/8	6	24 1/4	7.60
10156	10856	25170	7/8	12	27 1/4	8.30
—	—	25175	7/8	18	33 1/4	10.60
10164	10864	25180	1	6	21 1/4	10.00
10168	10868	25185	1	12	26 5/8	12.22



# Hook & Hook Turnbuckle

Forged Carbon Steel Assembly



## Specifications

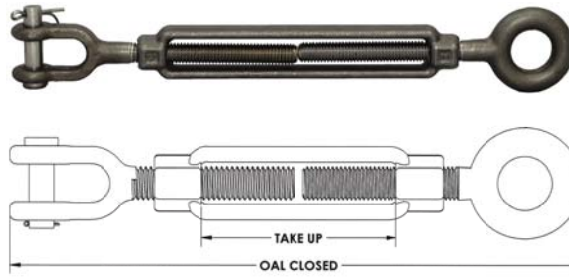
- Process: Forged
- Material: Carbon Steel
- Finish: Self-Colored, Galvanized
- Threads: UNC/UNF 2B, Metric
- Origin: Domestic or Import
- Specifications: ASTM F1145, Class E

Self-Colored Part Number	Hot Galvanized Part Number	Import Hot Galvanized Part Number	Thread Diameter	Take-Up	Average Overall Length Closed	Weight Lbs.
10204	10904	25200	1/4	4 1/2	8 5/8	0.25
10208	10908	25205	5/16	4 1/2	8 13/16	0.44
10212	10912	25210	3/8	6	11 7/8	0.79
10216	10916	25215	1/2	6	13 1/4	1.51
10220	10920	25220	1/2	9	16 3/8	1.81
10224	10924	25225	1/2	12	20 1/2	2.20
10228	10928	25230	5/8	6	13 3/4	2.50
10232	10932	25235	5/8	9	19 1/4	3.00
10236	10936	25240	5/8	12	21 3/8	3.60
10240	10940	25245	3/4	6	17 3/4	3.90
10244	10944	25255	3/4	9	20 3/4	4.60
10248	—	—	3/4	12	21 3/4	5.30
—	—	25260	3/4	18	29 3/4	7.20
10256	10956	—	7/8	12	27 1/4	7.60
10264	10964	—	1	6	21 1/4	7.50
10268	10968	25285	1	12	26 5/8	10.00
—	—	25290	1	18	32 1/2	12.22



## Jaw & Eye Turnbuckle - Carbon

Forged Carbon Steel Assembly



### Specifications

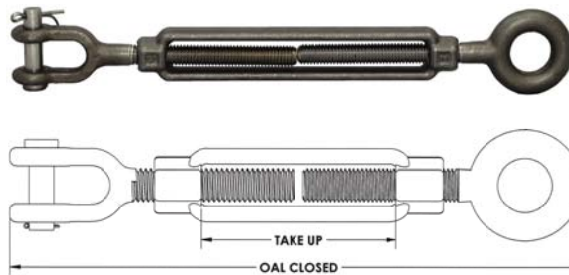
- Process: Forged
- Material: Carbon Steel
- Finish: Self-Colored, Galvanized
- Threads: UNC/UNF 2B, Metric
- Origin: Domestic (Round Eye design) or Import (Oval Eye design)
- Specifications: ASTM F1145, Class H

Self-Colored Part Number	Import Hot Galvanized Part Number	Thread Diameter	Take-Up	Average Overall Length Closed	Weight Lbs.
11004	25300	1/4	4 1/2	8 1/2	0.43
11008	25305	5/16	4 1/2	9	0.53
11012	25310	3/8	6	12	1.05
11016	25315	1/2	6	12 3/4	1.68
11020	25320	1/2	9	16 3/8	1.81
11024	25325	1/2	12	19 1/2	2.20
11028	25330	5/8	6	14 3/4	2.59
11032	25335	5/8	9	18 3/4	3.97
11036	25340	5/8	12	21 3/8	4.35
11040	25345	3/4	6	16	4.26
11044	25350	3/4	9	20 3/4	4.58
11048	25355	3/4	12	23	5.32
—	25360	3/4	18	26 5/8	8.05
—	25365	7/8	6	7 3/4	8.25
—	25370	7/8	12	19 3/4	8.75
—	25375	7/8	18	31 1/2	11.82
11064	25380	1	6	21 1/4	9.20
11068	25385	1	12	25 1/2	11.57
—	25390	1	18	32 1/2	14.20



## Jaw & Eye Turnbuckle - Stainless

Forged Stainless Steel Assembly



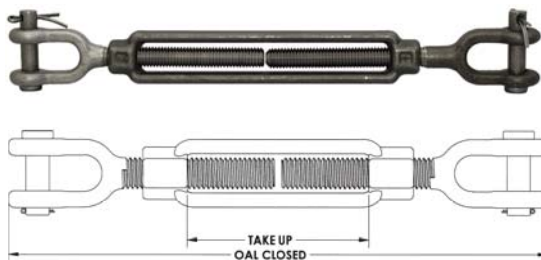
### Specifications

- Process: Forged
- 304 or 316 Stainless Steel
- Finish: Self-Colored, Polished
- Threads: UNC/UNF 2B, Metric
- Origin: Domestic (Round Eye design) or Import (Oval Eye design)

Part Number	Thread Diameter	Take-Up	Average Overall Length Closed	Weight Lbs.
SS11012	3/8	6	11 1/2	0.96
SS11016	1/2	6	13 3/8	1.66
SS11028	5/8	6	16	2.53
SS11040	3/4	6	17	4.14

## Jaw & Jaw Turnbuckle - Carbon

Forged Carbon Steel Assembly



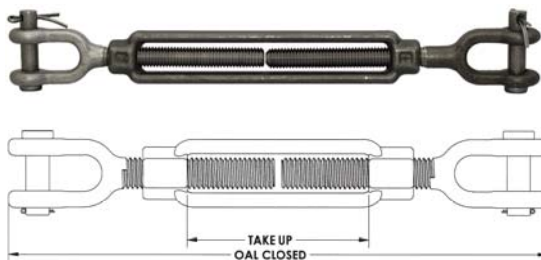
Specifications
• Process: Forged
• Material: Carbon Steel
• Finish: Galvanized
• Threads: UNC/UNF 2B, Metric
• Origin: Domestic or Import
• Specifications: ASTM F1145, Class G

Domestic Hot Galvanized Part Number	Import Hot Galvanized Part Number	Thread Diameter	Take-Up	Average Overall Length Closed	Weight Lbs.
11104	25400	1/4	4 1/2	8 1/2	0.28
11108	25405	5/16	4 1/2	9	0.53
11112	25410	3/8	6	12	0.85
11116	25415	1/2	6	13	1.64
11120	25420	1/2	9	16 3/8	1.95
11124	25425	1/2	12	20 1/2	2.40
11128	25430	5/8	6	16	2.75
—	25435	5/8	9	18 3/4	3.97
11136	25440	5/8	12	22	4.35
11140	25445	3/4	6	17	4.50
11144	25450	3/4	9	20 3/4	4.98
11148	25455	3/4	12	23	5.78
—	25460	3/4	18	29	7.60
—	25465	7/8	6	16	8.25
—	25470	7/8	12	19 3/4	8.75
—	25475	7/8	18	31 1/2	11.82
11164	25480	1	6	18	9.20
11168	25485	1	12	25 1/2	12.10
11172	25490	1	18	36	14.20



## Jaw & Jaw Turnbuckle - Stainless

Forged Stainless Steel Assembly



Specifications
• Process: Forged
• 304 or 316 Stainless Steel
• Finish: Self-Colored, Polished
• Threads: UNC/UNF 2B, Metric
• Origin: Domestic or Import

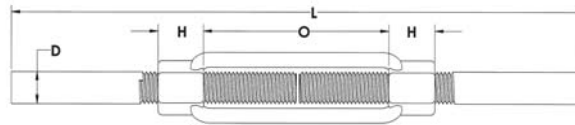
Part Number	Thread Diameter	Take-Up	Average Overall Length Closed	Weight Lbs.
SS11112	3/8	6	12 3/8	1.07
SS11116	1/2	6	9	1.69
SS11128	5/8	6	12	2.75
SS11140	3/4	6	13	4.50





# Stub & Stub Turnbuckle

Forged Carbon Steel Assembly



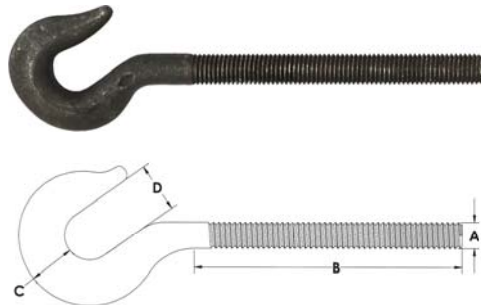
## Specifications

- Process: Forged
- Material: Carbon Steel
- Finish: Self-Colored, Galvanized
- Threads: UNC/UNF 2B, Metric
- Origin: Domestic
- Specifications: ASTM F1145-92, Class C

	D	O	H	L		
Self-Colored Part Number	Diameter & Thread	Take-Up	Nut End	Average Overall Length Closed	Weight Lbs.	Rated Capacity
10504	1/4-20	4 1/2	7/16	10.500	0.360	500
10508	5/16-18	4 1/2	7/16	10.500	0.440	800
10512	3/8-16	6	5/8	13.000	0.840	1,200
10514	1/2-13	3	1	8.000	1.140	2,200
10516	1/2-13	6	11/16	14.000	1.390	2,200
10520	1/2-13	9	1 5/32	20.000	3.130	2,200
10524	1/2-13	12	11/16	22.000	2.530	2,200
10526	5/8-11	3	1	12.000	1.508	3,500
10528	5/8-11	6	1	15.000	2.098	3,500
10532	5/8-11	9	1 5/32	18.000	2.626	3,500
10536	5/8-11	12	1 5/32	21.250	4.320	3,500
10540	3/4-10	6	1 5/32	16.000	3.420	5,200
10544	3/4-10	9	1 5/32	22.000	4.674	5,200
10548	3/4-10	12	1 5/32	21.500	4.816	5,200
10554	7/8-9	6	1 5/16	17.000	4.426	7,200
10556	7/8-9	12	1 3/8	22.625	7.392	7,200
10564	1-8	6	1 3/8	18.000	5.828	10,000
10568	1-8	12	1 3/8	30.000	9.494	10,000
10572	1-8	18	1 3/8	29.000	10.552	10,000
10576	1 1/8-7	6	1 1/2	18.625	7.540	15,000
10580	1 1/4-7	6	1 11/16	19.125	9.590	15,200
10584	1 1/2-6	6	1 7/8	20.250	15.340	21,000

# Hook End Fitting

Forged Carbon Steel



## Specifications

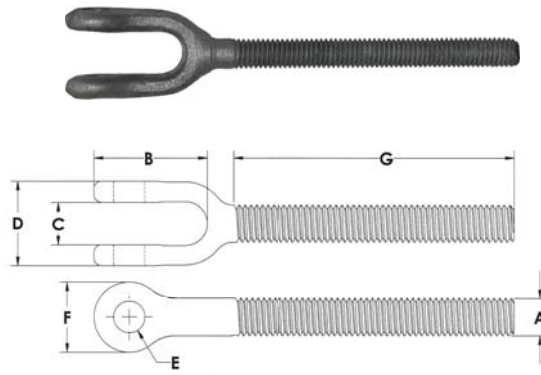
- Process: Forged
- Material: Carbon Steel
- Finish: Self-Colored, Galvanized
- Threads: UNC/UNF 2A, Metric
- Origin: Domestic or Import

Self-Colored Part Number	Hot Galvanized Part Number	A	Take-Up	B	C	D	Thread	Approx. Weight Lbs.	Rated Capacity
		Thread Diameter		Shank Length	Thread				
10205	10905	1/4	4 1/2	3	0.48	0.47	RH	0.692	300
10206	10906	1/4	4 1/2	3	0.48	0.47	LH	0.692	300
10209	10909	5/16	4 1/2	3	0.55	0.50	RH	0.147	500
10210	10910	5/16	4 1/2	3	0.55	0.50	LH	0.147	500
10213	10913	3/8	6	4	0.71	0.52	RH	0.230	700
10214	10914	3/8	6	4	0.71	0.52	LH	0.230	700
10217	10917	1/2	6	4	0.87	0.69	RH	0.594	1,040
10218	10918	1/2	6	4	0.87	0.69	LH	0.594	1,040
10221	10921	1/2	9	6 1/4	0.87	0.69	RH	0.560	1,040
10222	10922	1/2	9	6 1/4	0.87	0.69	LH	0.560	1,040
10225	10925	1/2	12	7 3/4	0.87	0.69	RH	0.580	1,040
10226	10926	1/2	12	7 3/4	0.87	0.69	LH	0.580	1,040
10229	10929	5/8	6	5	1.00	0.88	RH	0.882	1,600
10230	10930	5/8	6	5	1.00	0.88	LH	0.882	1,600
10233	10933	5/8	9	6 5/8	1.00	0.88	RH	0.960	1,600
10234	10934	5/8	9	6 5/8	1.00	0.88	LH	0.998	1,600
10237	10937	5/8	12	8 1/8	1.00	0.88	RH	0.998	1,600
10238	10938	5/8	12	8 1/8	1.00	0.88	LH	1.080	1,600
10241	10941	3/4	6	5 1/8	1.07	0.95	RH	1.302	2,000
10242	10942	3/4	6	5 1/8	1.07	0.95	LH	1.302	2,000
10245	10945	3/4	9	6 5/8	1.07	0.95	RH	1.486	2,000
10246	10946	3/4	9	6 5/8	1.07	0.95	LH	1.486	2,000
10249	10949	3/4	12	8 1/8	1.07	0.95	RH	1.600	2,000
10250	10950	3/4	12	8 1/8	1.07	0.95	LH	1.600	2,000
10257	10957	7/8	12	9	1.07	1.22	RH	2.440	2,400
10258	10958	7/8	12	9	1.07	1.22	LH	2.440	2,400
10265	10965	1	6	5 5/8	1.08	0.95	RH	3.116	2,900
10266	10966	1	6	5 5/8	1.08	0.95	LH	3.116	2,900
10269	10969	1	12	8 1/2	1.08	0.95	RH	3.386	2,900
10270	10970	1	12	8 1/2	1.08	0.95	LH	3.386	2,900



# Jaw End Fitting

Forged Carbon Steel



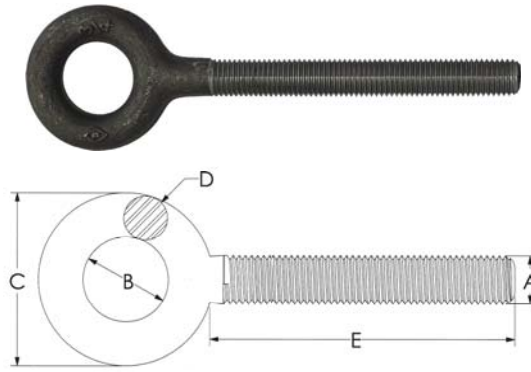
## Specifications

- Process: Forged
- Material: Carbon Steel
- Finish: Self-Colored, Galvanized
- Threads: UNC/UNF 2A, Metric
- Origin: Domestic or Import

Hot Galvanized Part Number	A		B		C		D		E		F		G	
	Thread Size	Take-Up	Jaw Depth	Inside Width of Jaw	Outside Width of Jaw	Pin Hole Diameter	Outside Diameter	Shank Length	Thread	Weight Lbs.	Rated Capacity			
11105	1/4-20	4 1/2	1.160	0.440	0.975	0.300	0.630	3.000	RH	0.090	500			
11106	1/4-20	4 1/2	1.150	0.440	0.970	0.300	0.630	3.000	LH	0.090	500			
11109	5/16-18	4 1/2	1.410	0.475	1.025	0.300	0.690	3.000	RH	0.138	800			
11110	5/16-18	4 1/2	1.400	0.475	1.025	0.300	0.690	3.000	LH	0.138	800			
11113	3/8-16	6	1.500	0.550	1.130	0.360	0.810	4.000	RH	0.226	1,200			
11114	3/8-16	6	1.500	0.550	1.130	0.360	0.810	4.000	LH	0.226	1,200			
11117	1/2-13	6	1.865	0.670	1.455	0.420	1.000	4.000	RH	0.420	2,100			
11118	1/2-13	6	1.865	0.670	1.455	0.420	1.000	4.000	LH	0.420	2,100			
11121	1/2-13	9	1.865	0.670	1.455	0.420	1.000	6.250	RH	0.508	2,100			
11122	1/2-13	9	1.865	0.670	1.455	0.420	1.000	6.250	LH	0.508	2,100			
11125	1/2-13	12	1.865	0.670	1.455	0.420	1.000	7.750	RH	0.560	2,100			
11126	1/2-13	12	1.865	0.670	1.455	0.420	1.000	7.750	LH	0.560	2,100			
11129	5/8-11	6	2.350	0.810	1.700	0.550	1.310	5.000	RH	0.826	3,200			
11130	5/8-11	6	2.350	0.810	1.700	0.550	1.310	5.000	LH	0.826	3,200			
11133	5/8-11	9	2.350	0.810	1.700	0.550	1.310	6.625	RH	0.982	3,200			
11134	5/8-11	9	2.350	0.810	1.700	0.550	1.310	6.625	LH	0.982	3,200			
11137	5/8-11	12	2.350	0.810	1.700	0.550	1.310	8.125	RH	1.024	3,200			
11138	5/8-11	12	2.350	0.810	1.700	0.550	1.310	8.125	LH	1.024	3,200			
11141	3/4-10	6	2.675	0.940	2.025	0.690	1.620	5.125	RH	1.260	5,000			
11142	3/4-10	6	2.675	0.940	2.025	0.690	1.620	5.125	LH	1.260	5,000			
11145	3/4-10	9	2.675	0.940	1.975	0.690	1.620	6.625	RH	1.422	5,000			
11146	3/4-10	9	2.675	0.940	1.975	0.690	1.620	6.625	LH	1.422	5,000			
11149	3/4-10	12	2.675	0.940	1.985	0.690	1.620	8.125	RH	1.550	5,000			
11150	3/4-10	12	2.675	0.940	1.985	0.690	1.620	8.125	LH	1.550	5,000			
11153	3/4-10	18	2.800	0.940	2.040	0.690	1.620	11.125	RH	1.928	5,000			
11154	3/4-10	18	2.800	0.940	2.040	0.690	1.620	11.125	LH	1.928	5,000			
11157	7/8-9	12	3.200	1.200	2.425	0.810	1.880	9.000	RH	2.344	7,000			
11158	7/8-9	12	3.200	1.200	2.425	0.810	1.880	9.000	LH	2.344	7,000			
11161	7/8-9	18	3.200	1.200	2.400	0.810	1.880	12.000	RH	2.668	7,000			
11162	7/8-9	18	3.200	1.200	2.400	0.810	1.880	12.000	LH	2.668	7,000			
11165	1-8	6	3.625	1.330	2.650	0.940	2.120	5.625	RH	2.606	10,000			
11166	1-8	6	3.625	1.330	2.650	0.940	2.120	5.625	LH	2.606	10,000			
11169	1-8	12	3.625	1.330	2.650	0.940	2.120	8.500	RH	3.220	10,000			
11170	1-8	12	3.625	1.330	2.650	0.940	2.120	8.500	LH	3.222	10,000			
11173	1-8	18	3.625	1.330	2.650	0.940	2.120	11.250	RH	3.740	10,000			
11174	1-8	18	3.625	1.330	2.650	0.940	2.120	11.250	LH	3.740	10,000			

# Round Eye Fitting

Forged Carbon Steel



## Specifications

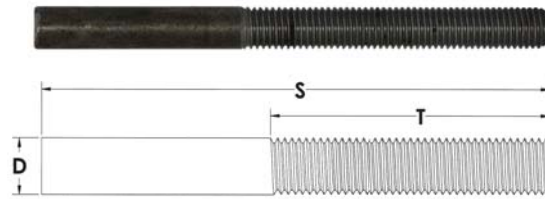
- Process: Forged
- Material: Carbon Steel
- Finish: Self-Colored, Galvanized
- Threads: UNC/UNF 2A, Metric
- Origin: Domestic

Self-Colored Part Number	Hot Galvanized Part Number	A		B		C		D		E	
		Thread Size	Take-Up	Inside Diameter	Outside Diameter	Cross-Section Diameter	Shank Length	Thread	Weight Lbs.	Rated Capacity	
10005	10705	1/4-20	4	1/2	1	1/4	3	RH	0.078	500	
10006	10706	1/4-20	4	1/2	1	1/4	3	LH	0.078	500	
10009	10709	5/16-18	4 1/2	5/8	1 1/4	29/93	3	RH	0.122	800	
10010	10710	5/16-18	4 1/2	5/8	1 1/4	29/93	3	LH	0.122	800	
10013	10713	3/8-16	6	13/16	1 1/2	3/8	4	RH	0.214	1,040	
10014	10714	3/8-16	6	13/16	1 1/2	3/8	4	LH	0.214	1,040	
10017	10717	1/2-13	6	1	2	38/87	4	RH	0.426	1,800	
10018	10718	1/2-13	6	1	2	38/87	4	LH	0.426	1,800	
10021	10721	1/2-13	9	1	2	38/87	6 1/4	RH	0.548	1,800	
10022	10722	1/2-13	9	1	2	38/87	6 1/4	LH	0.548	1,800	
10025	10725	1/2-13	12	1 1/8	2	38/87	7 3/4	RH	0.606	1,800	
10026	10726	1/2-13	12	1 1/8	2	38/87	7 3/4	LH	0.606	1,800	
10029	10729	5/8-11	6	1 19/64	2 1/4	50/89	5	RH	0.830	2,700	
10030	10730	5/8-11	6	1 19/64	2 1/4	50/89	5	LH	0.830	2,700	
10033	10733	5/8-11	9	1 1/4	2 1/2	5/8	6 5/8	RH	1.048	2,700	
10034	10734	5/8-11	9	1 1/4	2 1/2	5/8	6 5/8	LH	1.048	2,700	
10037	10737	5/8-11	12	1 1/4	2 1/2	5/8	8 1/8	RH	1.122	2,700	
10038	10738	5/8-11	12	1 1/4	2 1/2	5/8	8 1/8	LH	1.122	2,700	
10041	10741	3/4-10	6	1 1/2	3	5/8	4 7/8	RH	1.156	4,000	
10042	10742	3/4-10	6	1 1/2	3	62/99	4 7/8	LH	1.156	4,000	
10045	10745	3/4-10	9	1 1/2	3	3/4	6 5/8	RH	1.634	4,000	
10046	10746	3/4-10	9	1 1/2	3	3/4	6 5/8	LH	1.634	4,000	
10049	10749	3/4-10	12	1 1/2	3	3/4	8	RH	1.732	4,000	
10050	10750	3/4-10	12	1 1/2	3	3/4	8	LH	1.732	4,000	
10057	—	7/8-9	12	1 3/4	3 1/2	7/8	9	RH	2.770	7,000	
10058	—	7/8-9	12	1 3/4	3 1/2	7/8	9	LH	2.770	7,000	
10061	10761	7/8-9	18	1 68/99	3 1/2	7/8	12	RH	2.896	7,000	
10062	10762	7/8-9	18	1 68/99	3 1/2	7/8	12	LH	2.896	7,000	
10065	10765	1-8	6	2	3 7/8	1	5 3/4	RH	2.576	8,500	
10066	10766	1-8	6	2	3 7/8	1	5 3/4	LH	2.576	8,500	
10069	10769	1-8	12	1 13/16	4	1	8 1/2	RH	3.724	8,500	
10070	10770	1-8	12	1 13/16	4	1	8 1/2	LH	3.724	8,500	



# Stub End Fitting

Forged Carbon Steel



## Specifications

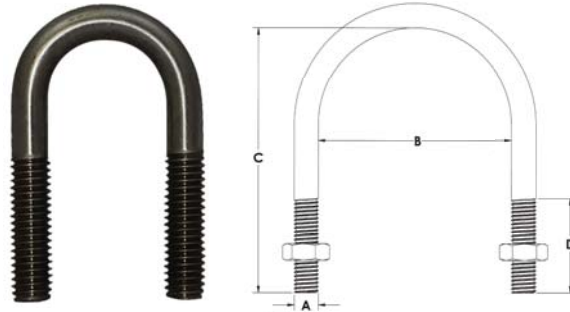
- Process: Forged
- Material: Carbon Steel
- Finish: Self-Colored, Galvanized
- Threads: UNC/UNF 2A, Metric
- Origin: Domestic

Self-Colored Part Number	D		Thread	S		T		Weight Lbs.	Rated Capacity Lbs.
	Thread Size	Take-Up		Stub Length	Min Thread Length				
10502	1/4-20	4.500	RH	5 1/4	2 3/4	0.054	500		
10503	1/4-20	4.500	LH	5 1/4	2 3/4	0.054	500		
10506	5/16-18	4.500	RH	5 1/4	2 3/4	0.100	800		
10507	5/16-18	4.500	LH	5 1/4	2 3/4	0.100	800		
10510	3/8-16	6.000	RH	6 1/2	4 1/16	0.180	1,200		
10511	3/8-16	6.000	LH	6 1/2	4 1/16	0.180	1,200		
10513	1/2-13	3.000	RH	4	2 9/16	0.276	2,200		
10515	1/2-13	3.000	LH	4	2 9/16	0.276	2,200		
10517	1/2-13	6.000	RH	7	4 1/16	0.390	2,200		
10518	1/2-13	6.000	LH	7	4 1/16	0.390	2,200		
10519	1/2-13	9.000	RH	10	5 9/16	0.560	2,200		
10521	1/2-13	9.000	LH	10	5 9/16	0.560	2,200		
10522	1/2-13	12.000	RH	13	7 1/16	0.720	2,200		
10523	1/2-13	12.000	LH	13	7 1/16	0.750	2,200		
10529	5/8-11	6.000	RH	7 1/2	4 1/4	0.660	3,500		
10530	5/8-11	6.000	LH	7 1/2	4 1/4	0.660	3,500		
10533	5/8-11	9.000	RH	10 1/2	5 3/4	0.920	3,500		
10534	5/8-11	9.000	LH	10 1/2	5 3/4	0.920	3,500		
10537	5/8-11	12.000	RH	10 1/2	7	0.920	3,500		
10538	5/8-11	12.000	LH	10 1/2	7	0.920	3,500		
10541	3/4-10	6.000	RH	8	4 5/16	0.910	5,200		
10542	3/4-10	6.000	LH	8	4 31/99	0.910	5,200		
10545	3/4-10	9.000	RH	11	5 3/16	1.380	5,200		
10546	3/4-10	9.000	LH	11	5 3/16	1.380	5,200		
10547	3/4-10	12.000	RH	14	7 5/16	1.750	5,200		
10549	3/4-10	12.000	LH	14	7 5/16	1.750	5,200		
10550	3/4-10	18.000	RH	13 3/4	10 1/8	1.650	5,200		
10551	3/4-10	18.000	LH	13 3/4	10 1/8	1.650	5,200		
10553	7/8-9	6.000	RH	8 1/2	4 1/2	1.320	7,200		
10555	7/8-9	6.000	LH	8 1/2	4 1/2	1.320	7,200		
10557	7/8-9	12.000	RH	14 1/2	7 1/2	2.470	7,200		
10558	7/8-9	12.000	LH	14 1/2	7 1/2	2.470	7,200		
10561	7/8-9	18.000	RH	14 1/4	10 3/8	2.158	7,200		
10562	7/8-9	18.000	LH	14 1/4	10 3/8	2.158	7,200		
10565	1-8	6.000	RH	9	5 1/8	1.800	10,000		
10566	1-8	6.000	LH	9	5 1/8	1.800	10,000		
10569	1-8	12.000	RH	15	8 1/8	3.350	10,000		
10570	1-8	12.000	LH	15	8 1/8	3.350	10,000		
10573	1-8	18.000	RH	14 1/2	10 5/8	2.838	10,000		
10574	1-8	18.000	LH	14 1/2	10 5/8	2.838	10,000		
10577	1-1/8-7	6.000	RH	9 1/2	5 1/4	2.390	15,000		
10578	1-1/8-7	6.000	LH	9 1/2	5 1/4	2.390	15,000		
10581	1-1/4-7	6.000	RH	9 9/16	5 5/16	3.080	15,200		
10582	1-1/4-7	6.000	LH	9 9/16	5 5/16	3.080	15,200		
10585	1-1/2-6	6.000	RH	10 1/8	5 3/4	4.590	21,000		
10586	1-1/2-6	6.000	LH	10 1/8	5 3/4	4.590	21,000		



# U-Bolt - Carbon

Carbon Steel, Zinc Plated



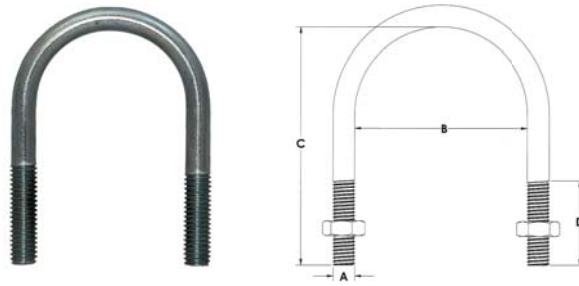
Specifications
• Process: Formed
• Material: Carbon Steel
• Finish: Zinc Plated
• Threads: UNC-2A
• Origin: Domestic
• Specifications: Unassembled with Nuts. Strap Washers not included.

	A	B	C	D		
Part Number	Thread Size	Width Between Legs	Inside Length	Thread Length	Pipe Size	Weight
34010	1/4-20	3/4	1 1/4	3/4	3/8	0.032
34020	1/4-20	3/4	1 3/4	3/4	3/8	0.044
34030	1/4-20	3/4	2 1/4	1 1/2	3/8	0.054
34070	1/4-20	1	1 3/4	3/4	1/2	0.046
34080	1/4-20	1 1/8	2	1	3/4	0.050
34090	1/4-20	1 3/8	2 1/4	3/4	1	0.058
34100	1/4-20	1 3/4	2 3/4	1	1 1/4	0.072
34110	1/4-20	2	3 1/4	1 1/4	1 1/2	0.084
34120	1/4-20	1 1/2	3 1/2	2	1	0.086
34200	5/16-18	1 3/8	2 3/16	1	1	0.094
34210	5/16-18	1 3/8	3 11/16	1 1/2	1	0.142
34220	5/16-18	1 3/4	2 11/16	1	1 1/4	0.112
34240	5/16-18	2	2 11/16	1	1 1/2	0.114
34250	5/16-18	2	3 11/16	1 1/2	1 1/2	0.148
34270	5/16-18	2 1/2	3 3/16	1 1/2	2	0.136
34292	3/8-16	1	2 1/4	1 1/4	1/2	0.136
34301	3/8-16	1 3/8	3 1/8	1 5/8	1	0.184
34303	3/8-16	1 1/2	2 1/2	1 1/4	1	0.156
34304	3/8-16	2	3 1/8	1 1/4	1 1/2	0.194
34310	3/8-16	2 9/16	3 5/8	1 1/2	2	0.224
34320	3/8-16	3	4 1/8	1 1/2	2 1/2	0.258
34330	3/8-16	3 5/8	4 5/8	1 1/2	3	0.290
34400	1/2-13	3	4 1/2	1 1/2	2 1/2	0.504
34410	1/2-13	3 1/2	5	1 1/2	3	0.562
34420	1/2-13	4	5 1/2	1 9/16	3 1/2	0.620
34430	1/2-13	4 5/8	6	1 11/32	4	0.678
34450	1/2-13	6 5/8	8	2	6	0.914
34455	1/2-13	8 3/4	10 3/8	2	8	1.164



## U-Bolt - Stainless

304 Stainless Steel



### Specifications

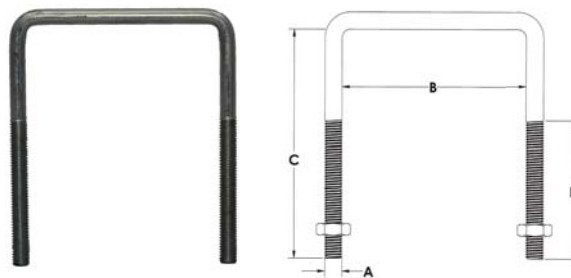
- Process: Formed
- Material: 304 Stainless Steel
- Finish: Polished
- Threads: UNC-2A
- Origin: Domestic
- Specifications: Furnished with Stainless Steel Hex Nuts (unassembled). Strap Washers not included.

	A	B	C	D		
Part Number	Thread Size	Width Between Legs	Inside Length	Thread Length	Pipe Size	Weight Lbs.
SS34010	1/4-20	3/4	1 1/4	3/4	3/8	0.034
SS34030	1/4-20	3/4	2 1/4	1 1/2	3/8	0.054
SS34070	1/4-20	1	1 3/4	15/16	1/2	0.046
SS34080	1/4-20	1 1/8	2	3/4	3/4	0.052
SS34090	1/4-20	1 3/8	2 1/4	3/4	1	0.058
SS34100	1/4-20	1 3/4	2 3/4	1	1 1/4	0.070
SS34110	1/4-20	2	3 1/4	1 1/4	1 1/2	0.082
SS34200	5/16-18	1 3/8	2 3/16	1	1	0.092
SS34220	5/16-18	1 13/16	2 3/16	1 1/8	1 1/4	0.114
SS34240	5/16-18	2	2 11/16	1	1 1/2	0.116
SS34270	5/16-18	2 1/2	3 1/8	1 9/16	2	0.136
SS34292	3/8-16	1	2 1/4	1 1/4	1/2	0.140
SS34303	3/8-16	1 1/2	2 49/99	1 1/4	1	0.156
SS34304	3/8-16	2	3	1 1/4	1 1/2	0.198
SS34310	3/8-16	2 9/16	3 5/8	1 1/2	2	0.220
SS34320	3/8-16	3	4 1/8	1 1/2	2 1/2	0.258
SS34330	3/8-16	3 11/16	4 5/8	1 1/2	3	0.292



## Square Bend U-Bolt

Carbon Steel, Zinc Plated



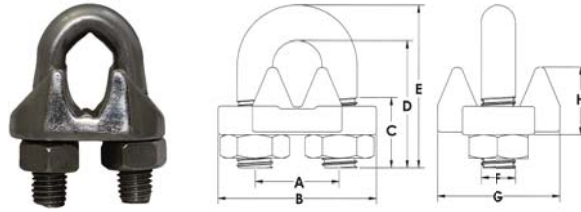
### Specifications

- Process: Formed
- Material: Carbon Steel
- Finish: Zinc Plated
- Threads: UNC-2A
- Origin: Domestic
- Specifications: Unassembles with Nuts. Strap Washers not included.

	A	B	C	D		
Part Number	Thread Size	Width Between Legs	Inside Length	Thread Length	Pipe Size	Weight Lbs.
36000	3/8-16	2	3	1 1/2		0.206
36005	3/8-16	2	5	3		0.296
36009	3/8-16	1 5/8	4	1 9/16		0.234
36015	3/8-16	4	3	1 1/2		0.252
36020	3/8-16	4	5	3		0.350
36061	1/2-13	1 1/2	1 1/2	1 1/8		0.296
36062	1/2-13	2 1/8	2 5/16	1 11/16		0.312
36063*	1/2-13	1 9/16	1 5/8	1 1/4		0.314

# Forged Wire Rope Clip

Forged Carbon Steel



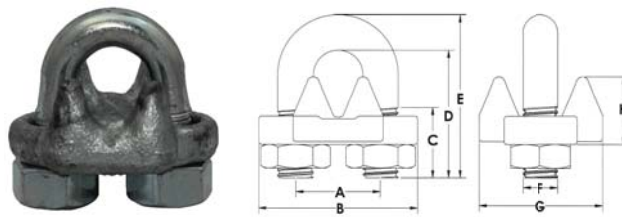
Specifications	
• Process: Forged	• Material: Carbon Steel
• Material: Carbon Steel	• Finish: Galvanized
• Finish: Galvanized	• Origin: Import

Part Number	Rope Size	A	B	C	D	E	F	G	H	Min. No. Clips for Max Strength	Min. Spacing Between Clips	Weight Lbs.
18500	1/8	1/2	7/8	1/2	3/4	15/16	7/32	17/32	7/16	2	3/4	0.030
18505	3/16	19/32	11/4	5/8	31/32	13/16	1/4	15/16	1/2	2	11/8	0.094
18510	1/4	11/16	11/2	5/8	17/32	13/8	5/16	13/16	11/16	2	11/2	0.176
18515	5/16	7/8	1 11/16	13/16	17/16	13/4	3/8	15/16	5/8	2	17/8	0.276
18520	3/8	1	1 15/16	7/8	19/16	1 15/16	7/16	15/8	7/8	2	21/4	0.442
18530	1/2	13/16	2 1/4	11/16	1 29/32	25/16	1/2	1 13/16	13/32	3	3	0.750
18540	5/8	11/4	11/2	11/2	2 17/32	3	9/16	2	11/4	3	33/4	0.990
18545	3/4	11/2	2 13/16	19/16	2 13/16	33/8	5/8	23/16	1 15/32	4	4 1/2	1.442
18550	7/8	13/4	33/16	13/4	3 1/8	3 13/16	3/4	27/16	11/2	4	5 1/4	2.164
18555	1	17/8	3 1/2	1 13/16	3 11/16	45/16	3/4	25/8	13/4	5	6	2.542
18570	1-1/2	29/16	43/8	2 13/16	5 1/8	57/8	7/8	33/8	2 13/32	7	9	5.046



# Malleable Wire Rope Clip

Malleable Carbon Steel



Specifications	
• Process: Malleable	• Material: Carbon Steel
• Finish: Zinc Plated	• Origin: Import
• Specifications: Includes Regular Hex Nuts to Federal Specification FF-C-450, Type 1, Class	

**Use Clips Properly for Maximum Efficiency:**

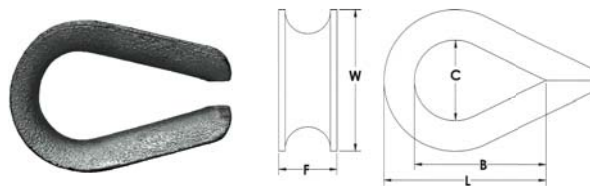
1. U-Bolt should bear on dead end of rope
2. Use recommended number of clips, depending on safety requirement.
3. Spacing between clips should be 6 times the rope diameter.
4. Nuts should be re-tightened after initial load.

Part Number	Rope Size	Inside Length of U-Bolt	Min. Number of Clips for Max. Strength	Weight
20900	1/16	23/32	2-4	0.018
20905	1/8	23/32	2-4	0.030
20910	3/16	15/16	2-4	0.060
20915	1/4	1 1/32	2-4	0.100
20920	5/16	1 5/16	2-4	0.122
20925	3/8	1 1/2	2-4	0.212
20930	7/16	1 7/8	3-4	0.270
20935	1/2	1 7/8	3-4	0.362
20940	9/16	2 1/4	3-4	0.464
20945	5/8	2 3/8	3-4	0.476
20950	3/4	2 3/4	4-5	0.762
20955	7/8	3 1/8	4-5	1.294
20960	1	3 1/2	4-5	1.328
20965	1-1/8	3 7/8	6-8	2.514
20970	1-1/4	4 1/4	6-8	3.052



## Regular Wire Rope Thimble

Formed Carbon Steel



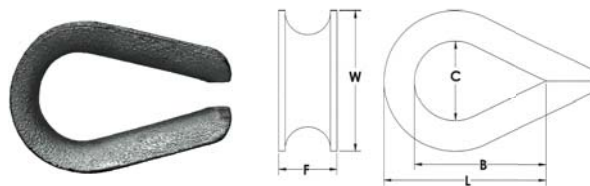
Specifications	
• Process: Formed	• Material: Carbon Steel
• Finish: Galvanized	• Origin: Import
• Specifications: Meets Federal Specification FF-T-276B, Type II.	
<i>Recommended for light duty service.</i>	

Part Number	Rope Size	B	C	F	L	W	Weight
40400	1/8	1.410	0.705	0.300	1.920	1.100	0.024
40405	3/16	1.440	0.715	0.375	1.920	1.130	0.026
40410	1/4	1.435	0.715	0.410	1.910	1.080	0.024
40415	5/16	1.580	0.775	0.480	2.100	1.250	0.042
40420	3/8	1.750	0.960	0.570	2.425	1.500	0.062
40425	7/16	1.830	1.000	0.615	2.480	1.575	0.078
40430	1/2	1.920	1.075	0.705	2.750	1.715	0.108
40435	5/8	2.420	1.415	0.965	3.580	2.350	0.294
40440	3/4	2.720	1.830	1.090	4.500	3.045	0.552
40445	7/8	3.520	1.820	1.270	4.460	3.200	0.740



## Heavy Wire Rope Thimble

Formed Carbon Steel



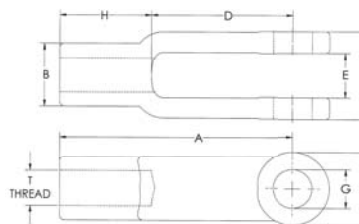
Specifications	
• Process: Formed	• Material: Carbon Steel
• Finish: Galvanized	• Origin: Import
• Specifications: Meets Federal Specification FF-T-276B, Type III Thimbles. Meets ASTM Specification A153 for maximum corrosion protection.	

Part Number	Rope Size	B	C	F	L	W	Weight
40300	1/4	1.700	0.890	0.465	2.220	1.500	0.060
40310	3/8	2.125	1.180	0.700	2.810	2.140	0.220
40325	9/16	2.750	1.500	0.944	3.540	2.640	0.428



## Adjustable Yoke End

Forged Carbon Steel



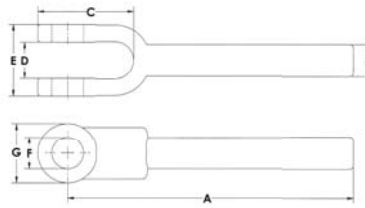
Specifications	
• Process: Forged	• Material: Carbon Steel
• Finish: Self-Colored, Plated, Black-Oxide	
• Threads: UNC/UNF 2B, Right or Left Hand	
• Origin: Import	

Self-Colored Part Number	T Thread	A	B	D	E	F	G	H	K	Weight Lbs.
69105	1/4-28	2	7/16	1 1/4	9/32	5/8	1/4	3/4	1/2	0.07
69110	5/16-24	2 1/4	1/2	1 7/16	11/32	3/4	5/16	13/16	19/32	0.11
69115	3/8-24	2 1/2	5/8	1 5/8	7/16	7/8	3/8	7/8	11/16	0.17
69120	7/16-20	2 7/8	23/32	1 7/8	1/2	1	7/16	1	13/16	0.24
69122	1/2-13	3	13/16	1 7/8	9/16	1 1/8	1/2	1 1/8	15/16	0.39
69124	1/2-20 LH	3	13/16	1 7/8	9/16	1 1/8	1/2	1 1/8	15/16	0.39
69125	1/2-20	3	13/16	1 7/8	9/16	1 1/8	1/2	1 1/8	15/16	0.39
69126	1/2-20	4 3/16	13/16	3 1/16	9/16	1 1/8	1/2	1 1/8	15/16	0.44
69130	5/16-18	4 15/16	1 1/16	3 11/16	11/16	1 3/8	5/8	1 1/4	1 3/16	0.75
69132	5/8-11	4 15/16	1 1/16	3 11/16	11/16	1 3/8	5/8	1 1/4	1 3/16	0.75
69135	3/4-16	6 1/16	1 1/4	4 9/16	13/16	1 5/8	3/4	1 1/2	1 7/16	1.25
69136	3/4-10	4	1 1/8	2 3/4	11/16	1 1/2	5/8	1 1/4	1 3/8	0.76
69137	3/4-10	6 1/16	1 1/4	4 9/16	13/16	1 5/8	3/4	1 1/2	1 7/16	1.25
69138	3/4-16	4	1 1/8	2 3/4	11/16	1 1/2	5/8	1 1/4	1 3/8	0.76



## Yoke End

Forged Carbon Steel



### Specifications

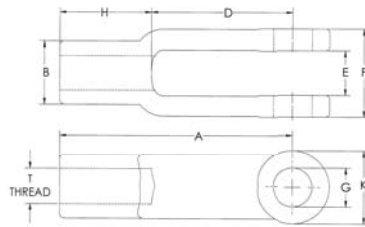
- Process: Forged
- Material: Carbon Steel
- Finish: Self-Colored, Plated, Black-Oxide
- Origin: Import

Part Number	Diameter	A	B	C	D	E	F	G	Weight Lbs.
69310	5/16	2	5/16	1 1/32	11/32	3/4	5/16	19/32	0.18
69315	3/8	2 1/8	3/8	1 7/32	15/32	7/8	3/8	11/16	0.28
69317	3/8	7	3/8	1 7/32	15/32	7/8	3/8	11/16	0.58
69322	7/16	3 1/2	7/16	1 7/16	1/2	1	7/16	13/16	0.45
69325	1/2	2 1/2	1/2	1 5/8	9/16	1 1/8	1/2	15/16	0.51
69326	1/2	6 1/2	1/2	1 5/8	9/16	1 1/8	1/2	15/16	0.83
69330	5/8	2 7/8	5/8	2 1/16	11/16	1 3/8	5/8	1 5/32	0.76
69332	5/8	4 3/4	5/8	2 1/16	11/16	1 3/8	5/8	1 5/32	1.01
69335	3/4	3 5/8	3/4	2 1/2	13/16	1 5/8	3/4	1 7/16	1.28
69337	3/4	8 1/4	3/4	2 1/2	13/16	1 5/8	3/4	1 7/16	2.09
69345	1	6	1	3 1/2	1 1/32	2 1/8	1	1 7/8	3.40



## Plastic Yoke End

Reinforced



### Specifications

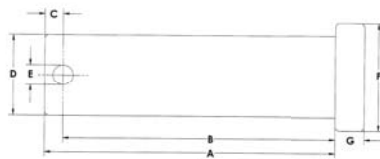
- Process: Steel reinforced through Heat Treat Spring Steel embedded inserts
- Material: Special compound of 40% fiberglass & 60% nylon

Part Number	T Thread	A	B	D	E	F	G	H	K	Weight Lbs.
69000	10-32	1.5625	.3125	1.000	.1875	.4375	.1875	.5625	.375	0.01
69005	1/4-28	2.000	.4375	1.25	.2812	.6250	.250	.750	.500	0.02
69010	5/6-24	2.250	.500	1.4375	.3437	.750	.3125	.8125	.5937	0.04
69015	3/8-24	2.500	.6250	1.6250	.4375	.8750	.375	.894	.6875	0.05
69020	1/2-20	3.000	.8126	1.8750	.5625	1.125	.500	1.125	.9375	0.10



## Yoke/Clevis Pin

Cold Headed Carbon Steel



### Specifications

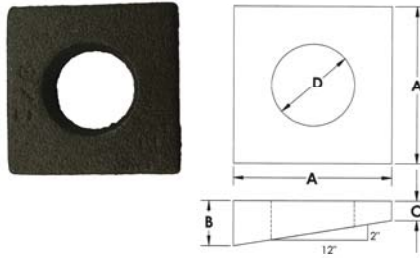
- Process: Cold Headed
- Material: Carbon Steel
- Finish: Self-Colored, Plated, Black-Oxide
- Origin: Domestic

Part Number	A	B	C	D	E	F	G	Weight Lbs.
98305	49/64	43/64	3/32	1/4	5/64	3/8	3/32	0.01
98310	15/16	13/16	1/8	5/16	7/64	7/16	3/32	0.03
98315	1 1/16	15/16	1/8	3/8	7/64	1/2	1/8	0.04
98320	1 1/4	1 1/16	1/8	7/16	7/64	9/16	5/32	0.06
98325	1 23/64	1 13/64	5/32	1/2	9/64	5/8	5/32	0.09
98330	1 39/64	1 29/64	5/32	5/8	9/64	13/16	13/64	0.17
98335	1 29/32	1 23/32	3/16	3/4	11/64	15/16	1/4	0.29
98340	1 27/32	1 19/32	9/64	5/8	9/64	13/16	13/64	1.00



### Bevel Washer

Malleable

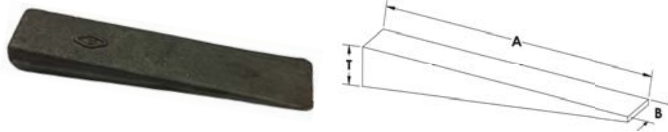


Part Number	Bolt Diameter	A	B	C	D	Weight Lbs.
70005	1/4	11/16	7/32	5/64	5/16	0.02
70025	5/8	1 1/2	13/32	5/32	11/16	0.15
70030	3/4	1 1/2	15/32	7/32	13/16	0.16
70035	7/8	2	9/16	7/32	15/16	0.34



### Wedge Shim

Forged Carbon Steel

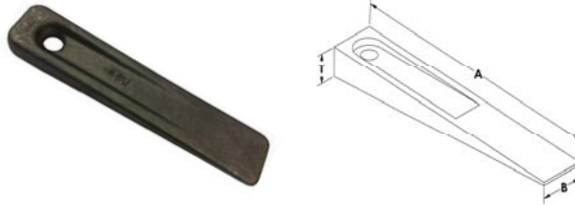


Part Number	A	B	T	Weight Lbs.
16915	5	1	3/4	0.90
16920	6	2	1/2	1.34



### Set-Up Wedge

Forged Carbon Steel

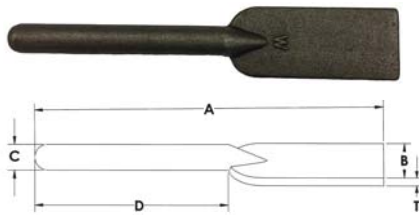


Part Number	A	B	T	Weight Lbs.
16910	3	1	1/4	0.15
16911	5	1	1/2	0.33
16912	6	1 1/4	3/4	0.63



### Strap End - Rectangle

Forged Carbon Steel

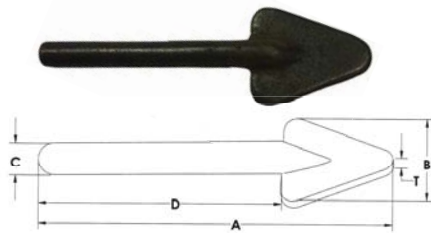


Part Number	A	B	C	D	T	Weight Lbs.
66410	8 3/4	1	3/8	5 1/4	5/32	0.92
66420	6 3/4	1 1/4	1/2	3 3/4	5/32	1.15



### Strap End - Triangle

Forged Carbon Steel

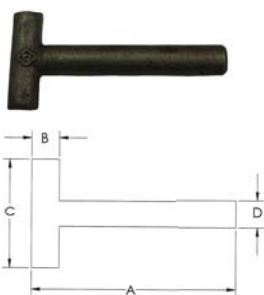


Part Number	A	B	C	D	T	Weight Lbs.
66310	4 13/16	1 1/2	3/8	3	1/8	0.33



### Tee Bolt

Forged Carbon Steel



Part Number	A	B	C	D	Weight Lbs.
66000	2 1/2	1/4	x	1 1/4	0.13
66010	2 1/2	3/8	x	1 1/4	0.30
66020	2 1/2	3/8	x	2	0.22
66025	5	3/8	x	1 3/4	0.41
66030	3 1/2	1/2	x	1 7/8	0.47
66035	6	1/2	x	3	0.95
66040	3 1/2	1/2	x	2	0.47
66045	2 1/4	5/8	x	2 1/2	0.65





# Terms & Conditions of Sale

## **I. ACCEPTANCE**

Acceptance of this order is not intended as an offer to sell and no contract shall arise until the seller shall have acknowledged and accepted in writing, at his home office a written purchase order from Purchaser for the material and on terms quoted herein. Acceptance of this order shall constitute acceptance of these terms and conditions. It is a condition of this order that any additional or different terms and condition proposed by seller, or any alteration in this purchase order shall have no force or effect.

## **2. WARRANTY, LIMITS, OF WARRANTY, RETURNS, CLAIMS**

The Sellers and goods covered in this order: (a) shall be of merchantable quality and free from defect ill material and workmanship. (b) Shall conform to drawings for its intended purpose or use. (c) Shall be suitable for its intended purpose and use as long as the parts are not altered and must be used properly. The Sellers obligation hereunder is expressly limited to the repair or replacement of the non-conforming or damaged product F.O.B. Wellington, Ohio plant facility, without cost to the Purchaser, or the repayment of the purchase price, or so much of the purchase price as Purchaser has paid whichever is the lesser, upon return. Returns should be up to 90 Days only, and returns may have a re-stock fee that applies.

## **3. PRICES**

Unless otherwise agreed, prices quoted by Seller are firm for quantities specified. Seller may increase prices to adjust for such increases in costs. Minimum amount of any order shall be \$25.00 orders less than the minimum shall be assessed a special charge.

## **4. PAYMENT**

The Purchaser shall make payments in United States funds net (30) days after the date of the invoice. F.O.B. the Seller's facility in Wellington, Ohio, unless otherwise agreed by the parties. Preparation charges, when invoiced separately, shall be payable upon completion of tools and dies. If the Purchaser fails to fulfill the terms or payment, the Seller may defer further shipments, or may at the Sellers option cancel the unshipped balance.

## **5. TITLES AND REMEDIES**

Until full payment or all obligations of the Purchaser hereunder, the Seller reserves the title to any security interest in all forgings furnished hereunder and all tools used in the maintenance thereof, all of which whether or not attached to realty, shall be considered to be personal property. If the Purchaser defaults in any payment or becomes subject to insolvency, receivership or bankruptcy proceedings or makes an assignment for the benefit of creditors or, without the Sellers consent, voluntarily or involuntarily sells, transfers, leases or permits any lien or attachments on the forgings delivered hereunder or if the forgings are misused or substantially damaged, the Seller may treat all ten or thereafter that the Purchaser hereunder owes to be immediately due and payable (a subject only to credits required by law) and the Seller may repossess said forgings by means available by law. In any proceeding or actions relating to a default by the purchaser, the Seller shall be reimbursed (if permitted by law).

## **6. DELIVERY**

Unless otherwise agreed by the parties, delivery will be F.O.B. the Sellers facility in Wellington, Ohio, all shipping charges collect. The Purchaser assumes all responsibility for risk of loss or damage to any goods furnished upon F.O.B. the Sellers Wellington facility. Claims for Shortage in delivery must be made in writing to the Seller within 10 days. All shipments delivered should be inspected by the Purchasers location before signing for damaged boxes or altered, notify carrier and say you will not accept.

## **7. INDENNIFICATION INSURANCE**

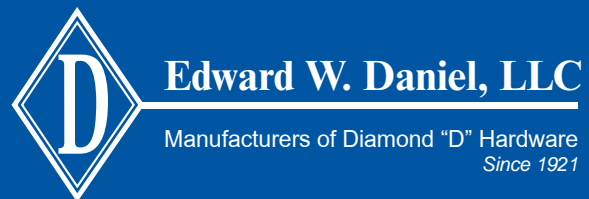
Purchaser shall indemnify, defend and save harmless Seller from and against all claims for loss or damage of any kind or for injury to any person or property (and any expense, including attorney's fees, resulting there from) arising out of, or in any way related to, the condition, use, repair, installation or design of the goods purchased hereunder, whether such claims are based on the negligence, breach of warranty or strict tort liability of Seller or otherwise and whether any such goods are in the same mode as when delivered hereunder or whether they have been used in the manufacture of, or become part of equipment, machinery or goods sold by Purchaser, its subsidiaries constituent companies or agents to third parties.

## **8. CANCELLATION**

Orders will not be subject to cancelation or modification, either in whole or in part, without the Seller's written consent, and then only on terms that will reimburse the Seller for all costs incurred by it, including, but not limited to preparations costs, costs of purchased materials, tools and dies, engineering and design costs, labor costs, plus an amount equal to Seller's customary profit margin; provided that in no event shall the cancelation charge be less than ten percent (10%) of the contract price.

## **9. STORAGE, PACKING, SPECIAL SERVICES**

This order acceptance does not contemplate that the Seller will perform storage, packing or cartage service. Testing, or certifications with specifications of the order as acknowledged by the Seller, will bear additional charges. Tests requiring destruction of merchandise will include charges for the service plus any parts destroyed. Where chargeable testing is ordered, the charge is applicable at the rate per line item and for each heat code.



46950 State Route 18 West, Suite B  
Wellington, Ohio 44090 USA  
Toll Free: 800-338-2658 | Tel: 440-647-1960 | Fax: 440-647-1970  
[www.ewdaniel.com](http://www.ewdaniel.com) | [sales@ewdaniel.com](mailto:sales@ewdaniel.com)

